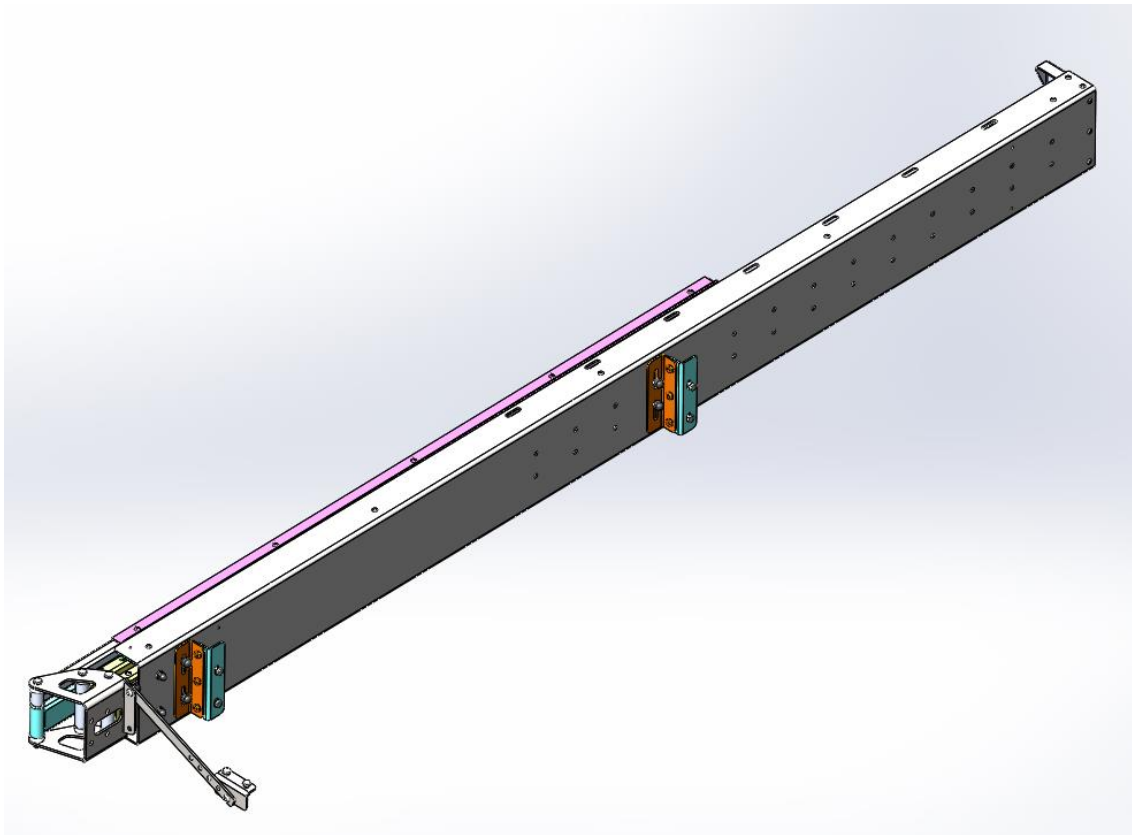




Universal Awning Mount Fitment Instructions



1. Universal Awning Mount – Tools, Fasteners & Materials

The tables below show the equipment, i.e. tools, fasteners, hardware and consumables required to start and finish the fitment of the universal awning mount.

Hardware Supplied with Universal Awning mount kit:

ITEM NO.	PART NUMBER	DESCRIPTION	QTY.
1	AW-1-001	AWNING MOUNTING BRACKET	2
2	AW-1-002	AWNING MOUNT ANGLE BRACKET	2
3	AW-1-B003	SUPPORT BRACKET	1
4	AW-1-B004	STAY ARM	1
5	MOUNTING BRACKET 01	MOUNTING BRACKET 01	1
6	M8x20 Button head screw	M8x20 Button head cap screw	8
7	M8x20 HEX BOLT	M8x20 HEX BOLT	6
8	M8 NYLOC NUT	M8 NYLOC NUT	20
9	M8 FLAT WASHER	M8 FLAT WASHER	20
10	M8 Plastic Nut Cap	M8 Plastic Nut Cap	20

1.1 Tools required to fit Universal Awning mount kit:

<u>TOOL</u>	<u>PURPOSE</u>
Allen Key	Fastening various bolts
13mm spanner	Spanner to tighten various bolts
13mm socket	Fastening various bolts
Ratchet	Fastening various bolts

Part Identification:

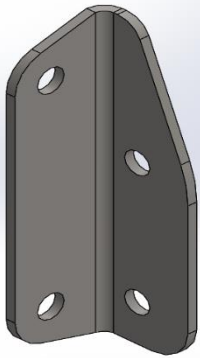


Figure 1: AW-1-B003

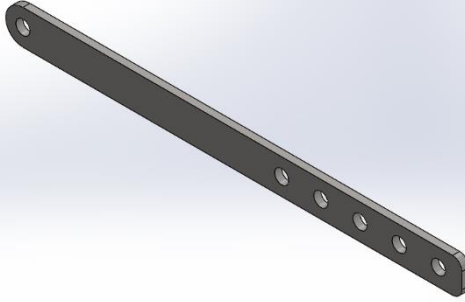


Figure 2: AW-1-B004

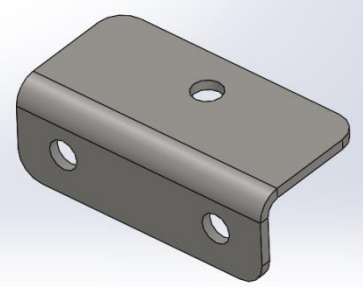


Figure 3: Mounting Bracket 01

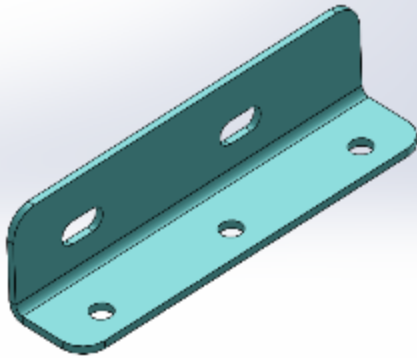


Figure 4: Bracket AW-1-001

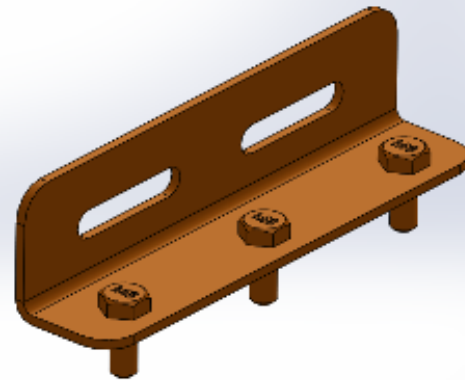


Figure 5: Bracket AW-1-002

2. Fitting the Universal Awning mount kit:

Step 1: Assemble the 2 x AW-1-002 and 2 x AW-1-001 as shown below:

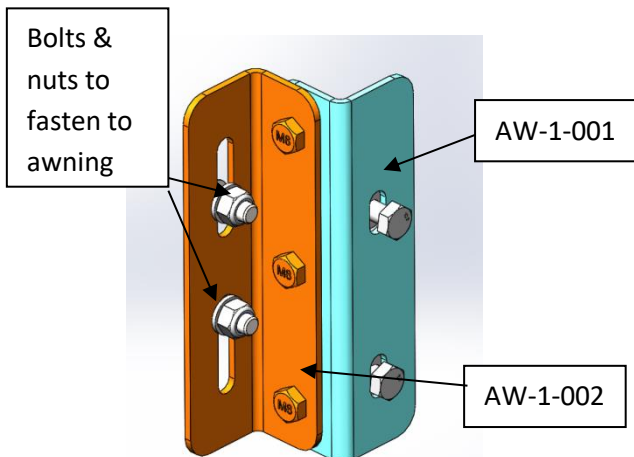


Figure 6: AW-1-002 and AW-1-001

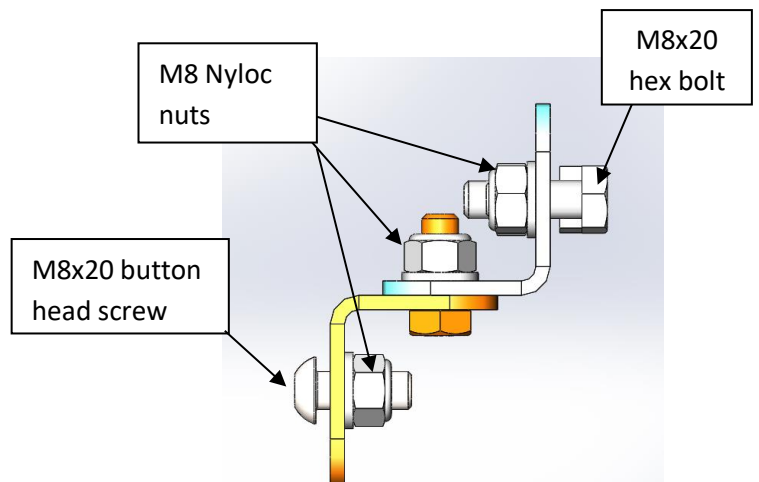


Figure 7: AW-1-002 and AW-1-001 Top

Step 2: Fit 2 x Assembled AW-1-002 & AW-1-001 and AW-1-B003 to awning

The following holes on the awning (circled in red) should be used to fasten the bracket AW-1-B003 and one AW-1-002 bracket to awning.

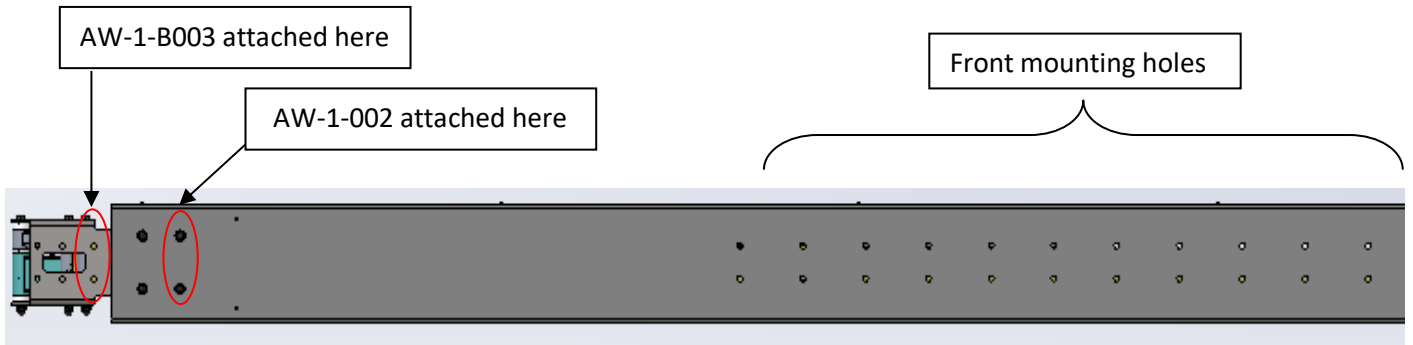


Figure 8: Rear View of Awning

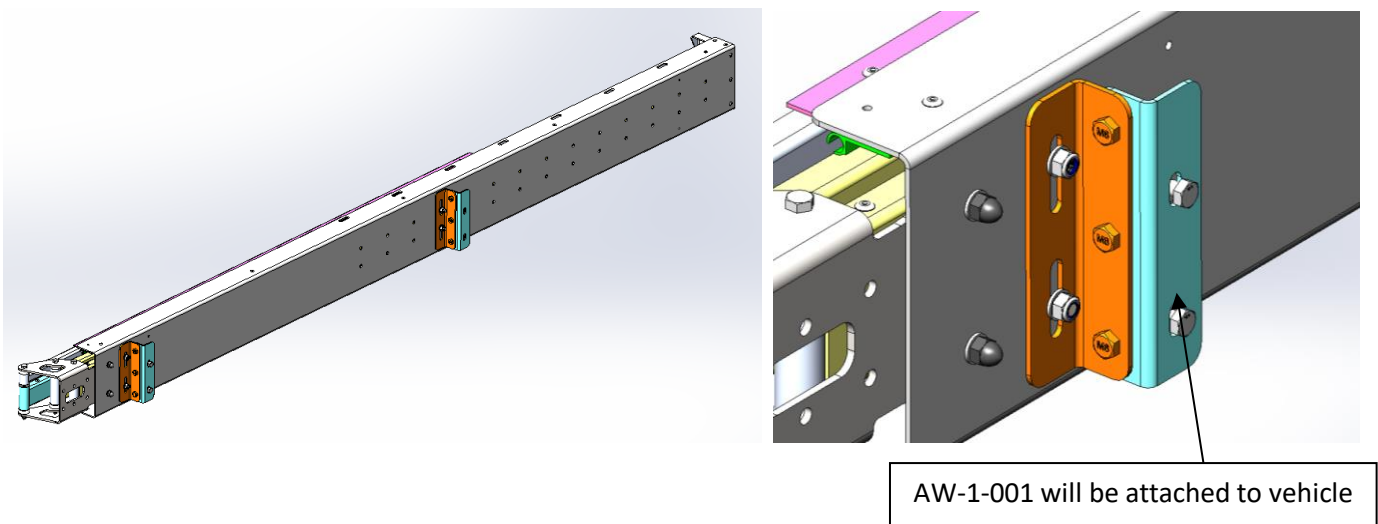
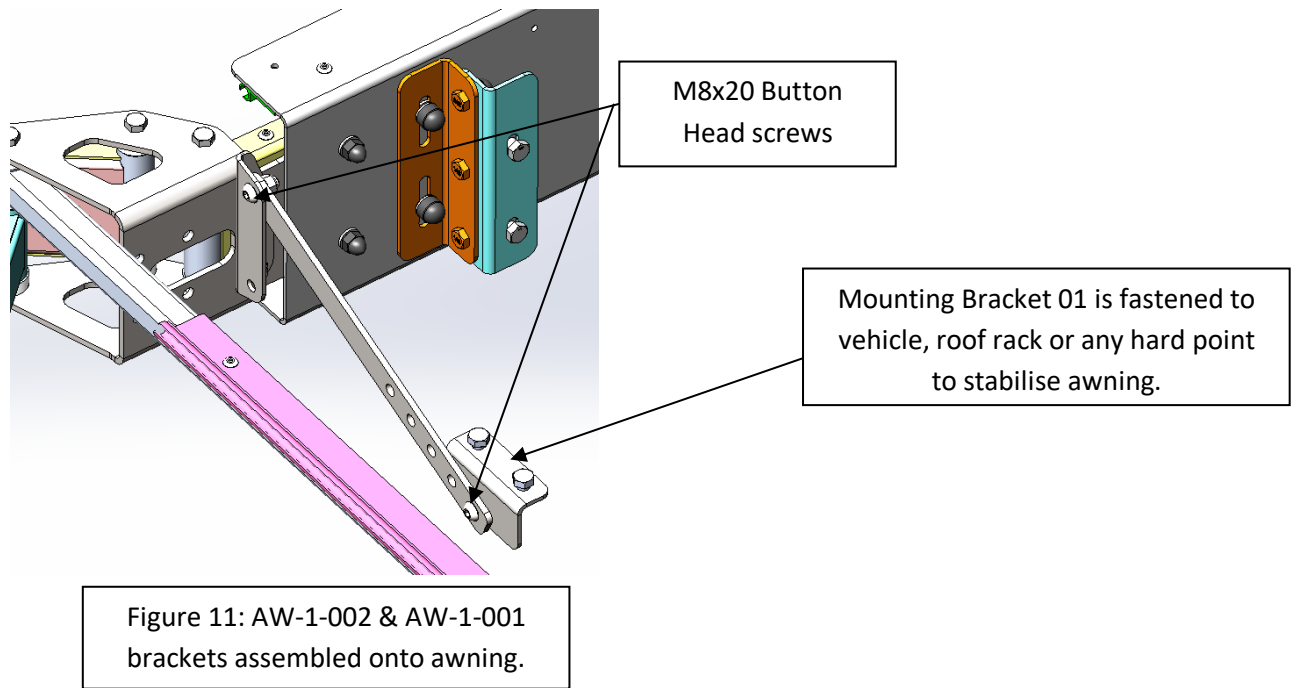
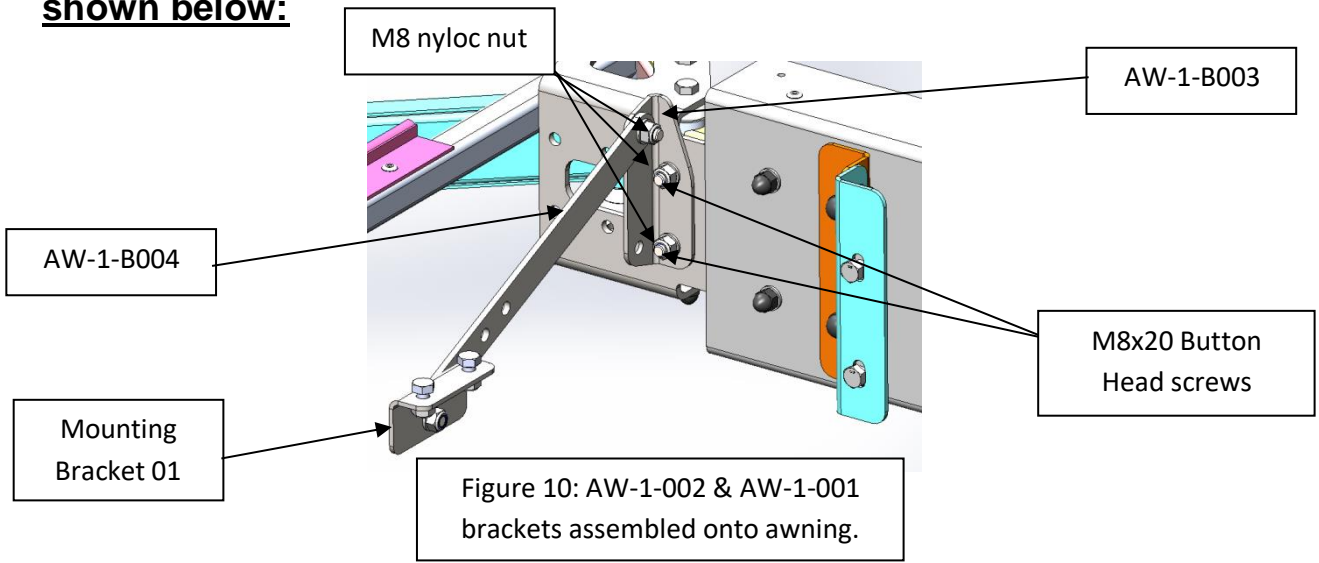


Figure 9: AW-1-002 & AW-1-001 brackets assembled onto awning.

The awning is now ready to be mounted onto the vehicle.

Step 3: Fit AW-1-B003, AW-1-B004 and Mounting Bracket 01 as shown below:



Step 4: Fit plastic nut caps to all nyloc nuts as shown below:

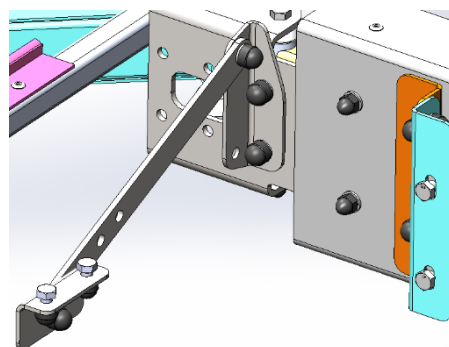


Figure 12: Plastic Nut caps fitted