



Toyota Tacoma 2015 Canopy



Fitment Instructions

1. Canopy Fitment – Tools, Fasteners & Materials

The tables below show the equipment, i.e. tools and fasteners required to start the canopy fitment for a 2015 Toyota Tacoma.

1.1. Tools & Items Required:

| <u>TOOLS</u> |
|------------------------|
| Ratchet |
| Allen key |
| 13mm Socket |
| 13mm Ring Flat Spanner |
| Rivet gun |
| drill |
| 5mm drill bit |

| <u>ITEM</u> |
|-------------------------------------|
| Turpentine |
| Cloth |
| Black sealant, silicone or Sikaflex |
| Window Cleaner |

1.2. Fasteners supplied: (Included with canopy)

| <u>ITEM</u> | <u>QUANTITY</u> |
|---------------------------|-----------------|
| M8x30mm Button head screw | 12 off |
| M8x20mm Hex Bolts | 12 off |
| M8 Spring Washer | 12 off |
| M8 Flat Washer | 30 off |
| M8 Nylock Nuts | 12 off |
| M8 Plastic Nut Caps | 12 off |
| 4.8x10 normal rivet | 12 off |

1.3. Hardware Required: (Included with canopy)

| <u>ITEM</u> | <u>QUANTITY</u> |
|---|-----------------|
| TC-Item 2x3ss | 6 off |
| TC-Item 3x3ss | 6 off |
| TC-Item 4x3ss | 6 off |
| TC-Item 5x3ss | 6 off |
| 282-2015-COV-STRIP-01-00 (Front cover strip) | 1 off |

Parts:

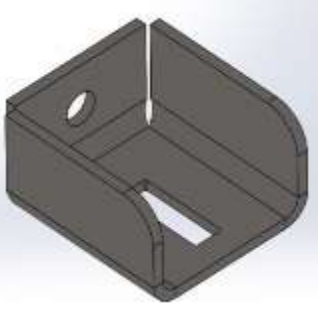


Fig 1: TC-item 2x3ss

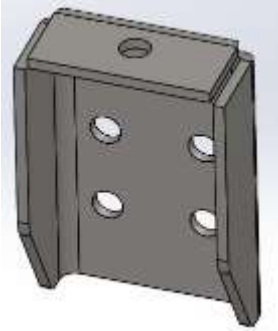


Fig 2: TC-item 3x3ss

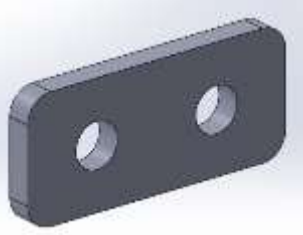


Fig 3: TC-item 5x3ss

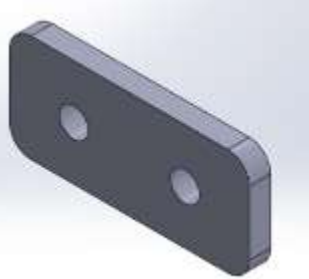


Fig 4: TC-item 4x3ss
(Threaded nut plate)



Fig 5: 282-2015-COV-STRIP-01-00

2. Installing front cover strip to canopy

Part 282-2015-COV-STRIP-01-00 (front cover strip) is supplied with the canopy must be riveted to the front aluminium nut slot extrusion as shown below.

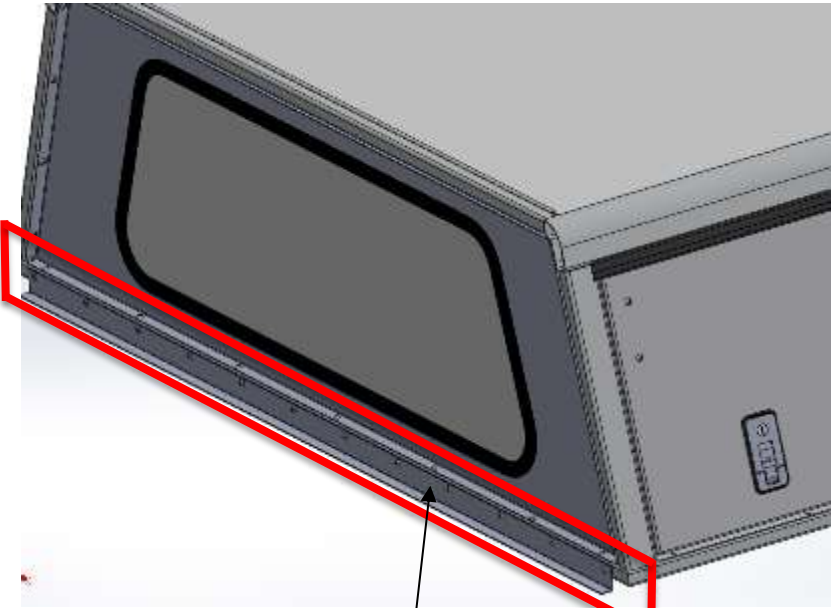


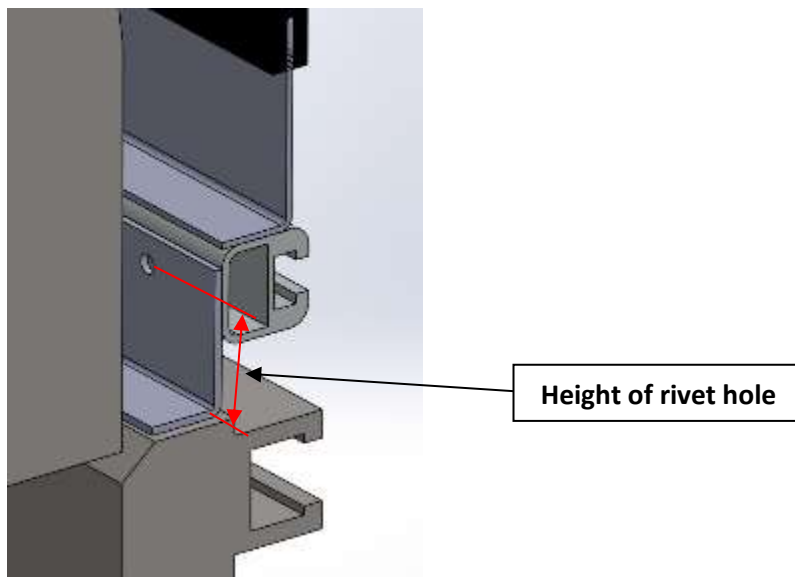
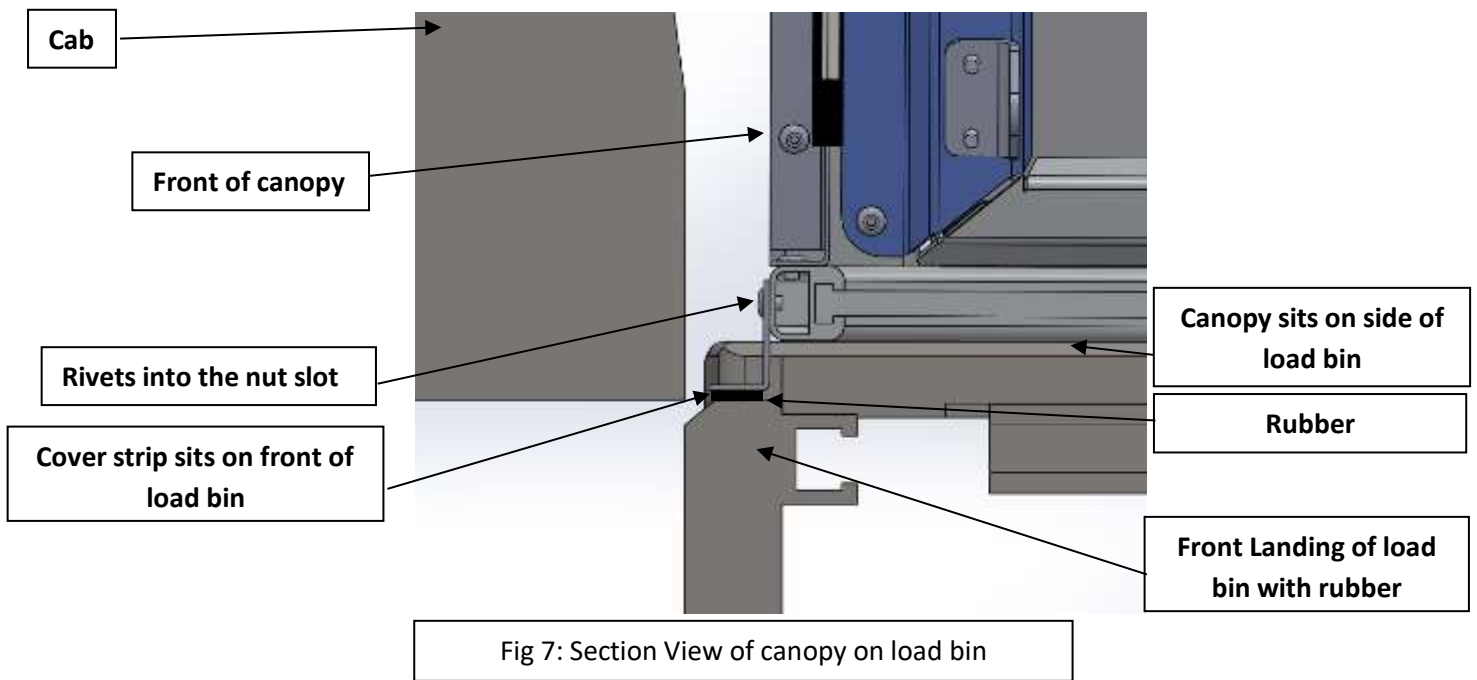
Fig 6: Front Cover Strip

Step 1: Put canopy onto the vehicle. Place the front cover strip with supplied rubber strip onto the front landing of load bin so that the cover strip sits flush on the front landing as shown in Figure 7.

Step 2: Mark off the height of the holes on the nut slot member. See Figure 8.

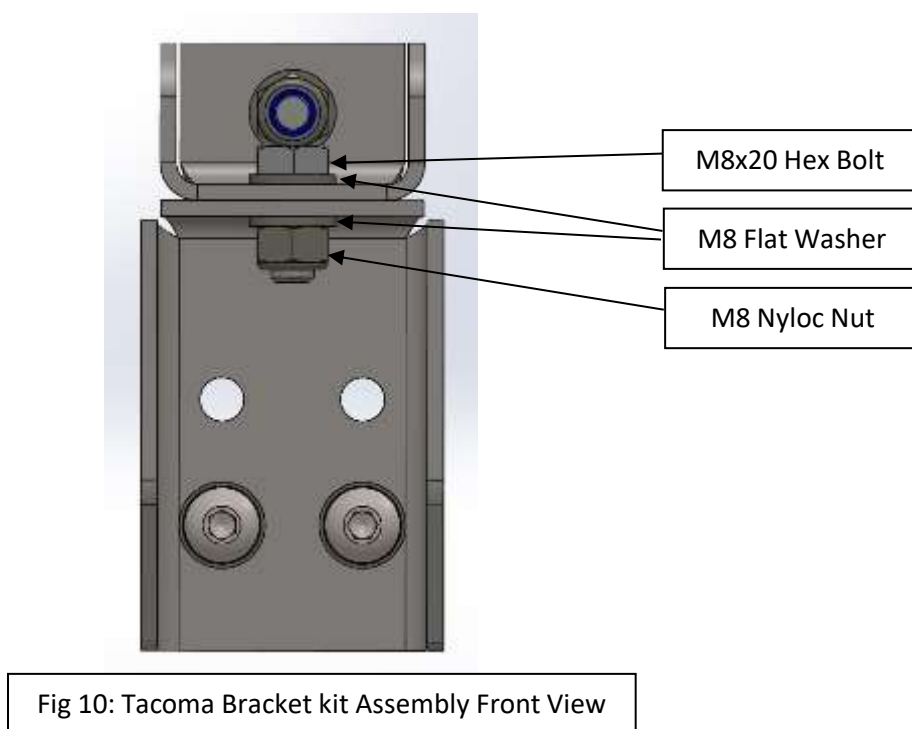
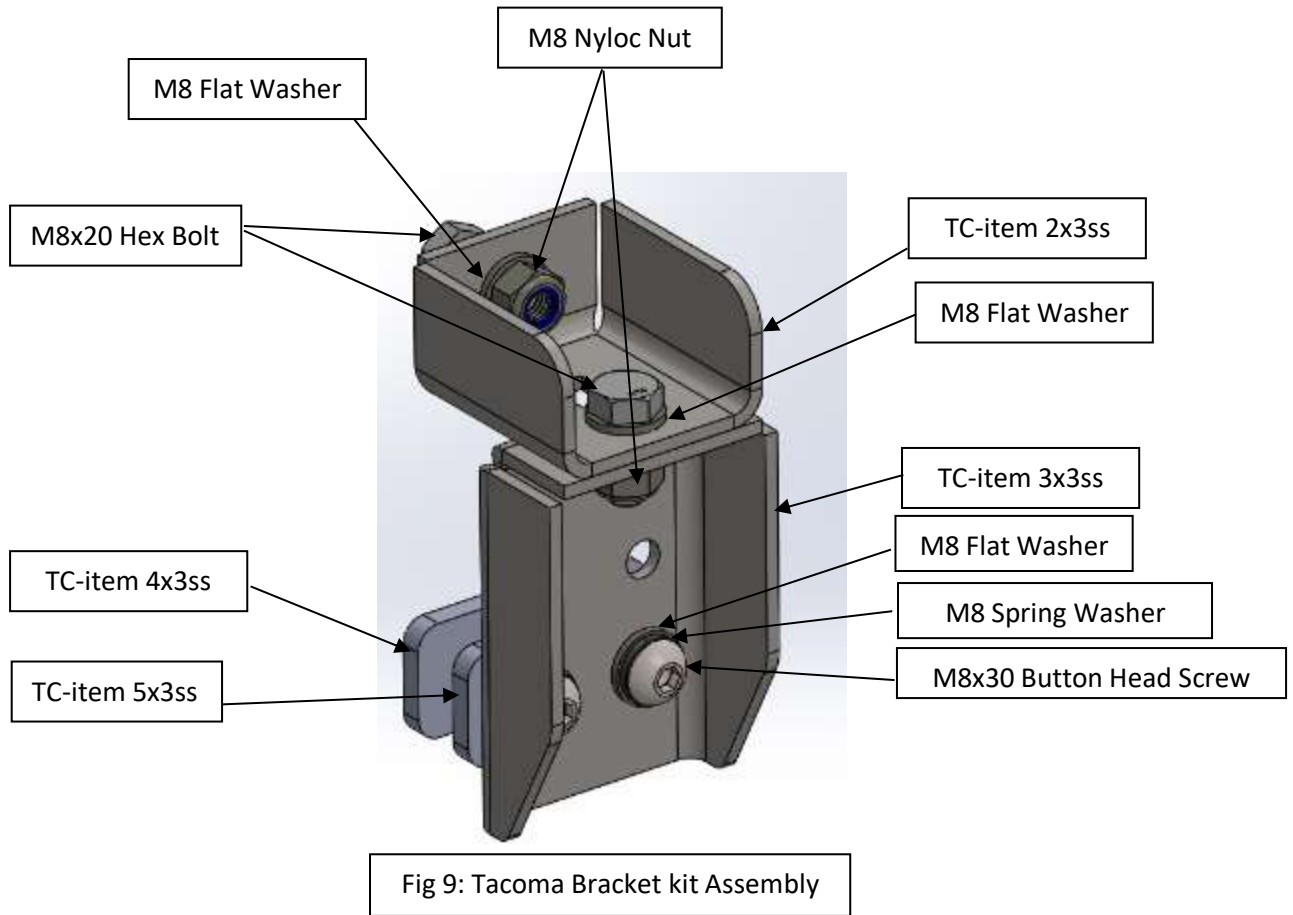
Step 3: Remove the canopy and drill holes into the nut slot.

Step 4: Rivet cover strip onto nut slot.



3. Mounting the canopy brackets to the load bin

The Tacoma canopy has six bracket kits (3 per side) which are fitted to the load bin. Figure 9 and 10 below shows a bracket kit assembly.



3.1 Mounting the Support Brackets to the Load Bin

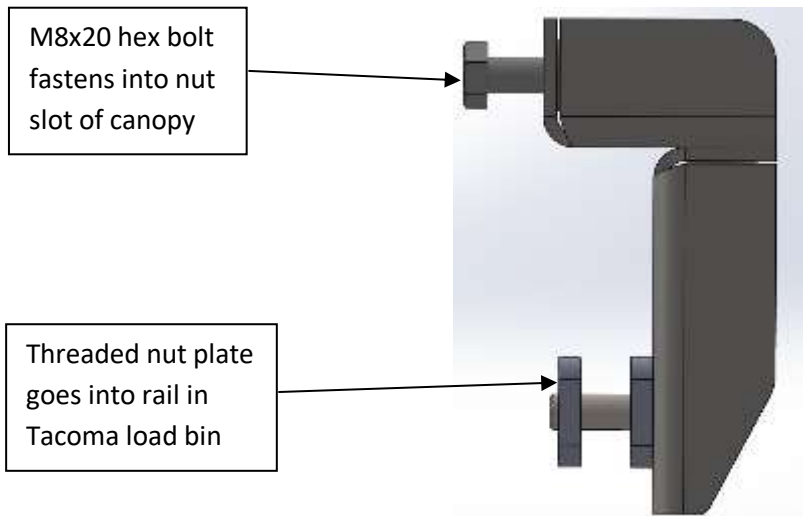


Fig 11: Tacoma Bracket kit Assembly Side View

Figures 9 and Figure 10 shows where the mounting brackets are fixed to the load bin.

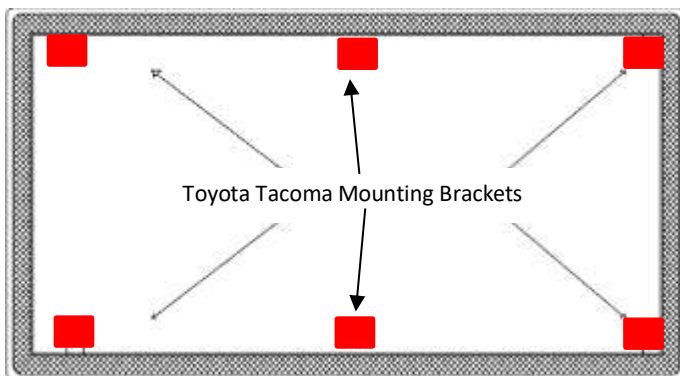


Fig 12: Top View of Load bin

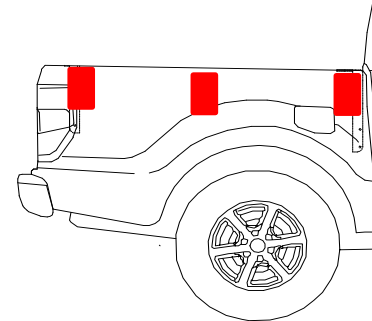


Fig 13: Side View of Load bin

Bolting the brackets to the load bin

For each bracket assembly, first slide the threaded nut plate into the Toyota Tacoma load bin rail. TC-item 5x3ss will be sandwiched between TC-item 3x3ss and the load bin rail as a spacer if needed. TC-item 3x3ss will be bolted to the thread nut plate using the M8x30 Button head screws with M8 flat washers and M8 spring washers. TC-item 2x3ss bolts to bracket TC-item 3x3ss and the nut slot in the canopy frame to secure the canopy.

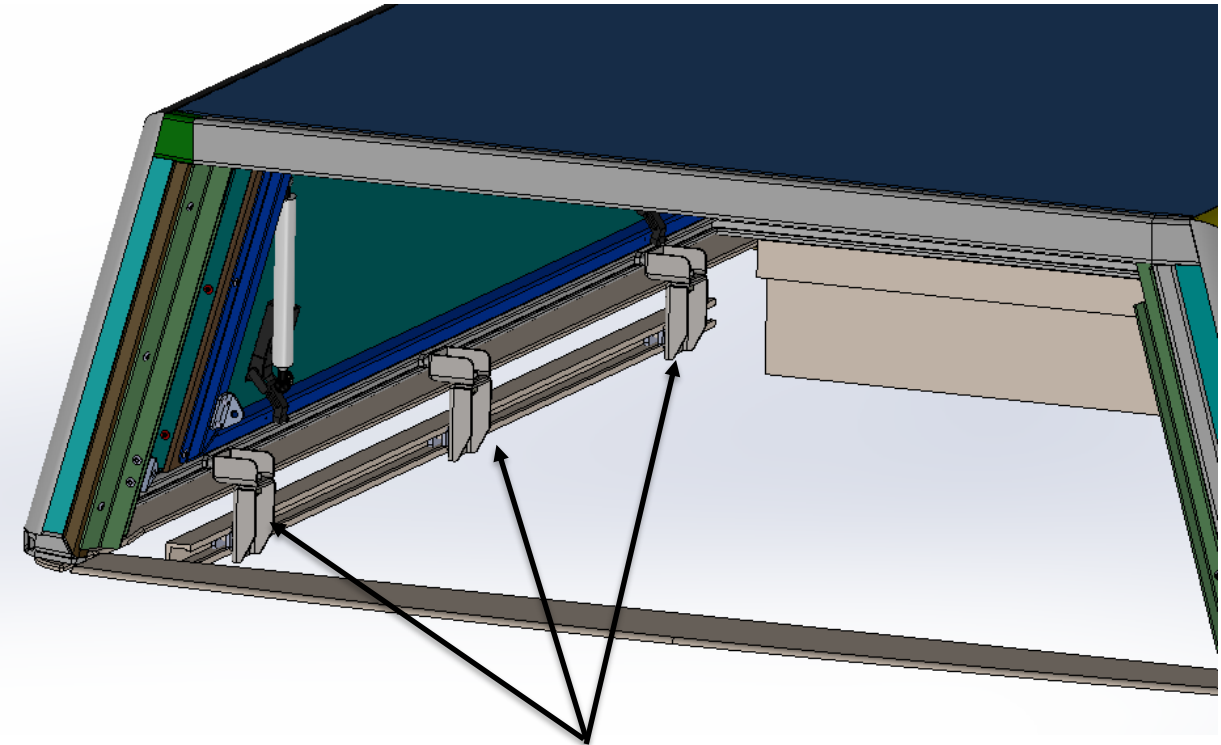


Fig 14: Tacoma Bracket kits



Fig 15: Photos of Bracket kit assembled in Tacoma Load Bin

4. Canopy Installation

Before placing the canopy onto the load bin, check that the D-Rubber is intact on the canopy. If this is not done, the canopy and/or load bin could be damaged or can cause leaks into the canopy.

To position the canopy, ensure that it is flush with the load bin on the inside.

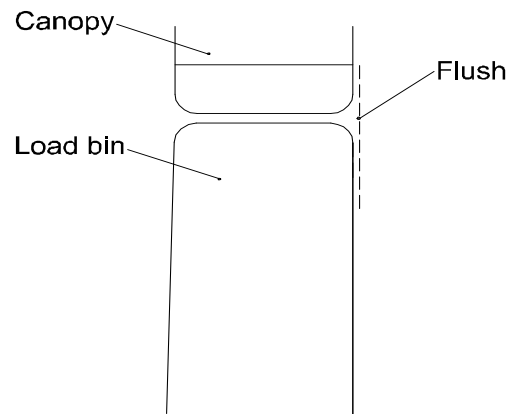


Figure 16: Canopy and Load Bin Alignment

4.1. Canopy Fitment to Load bin

Keep all the doors of the canopy open besides the rear door when placing it onto the load bin. Check alignment before bolting down.