



# Nissan Navara NP300 Canopy



## 1. Canopy Fitment – Tools, Fasteners & Materials

The tables below show the equipment, i.e. tools and fasteners required to start the canopy fitment for a Nissan Navara NP300.

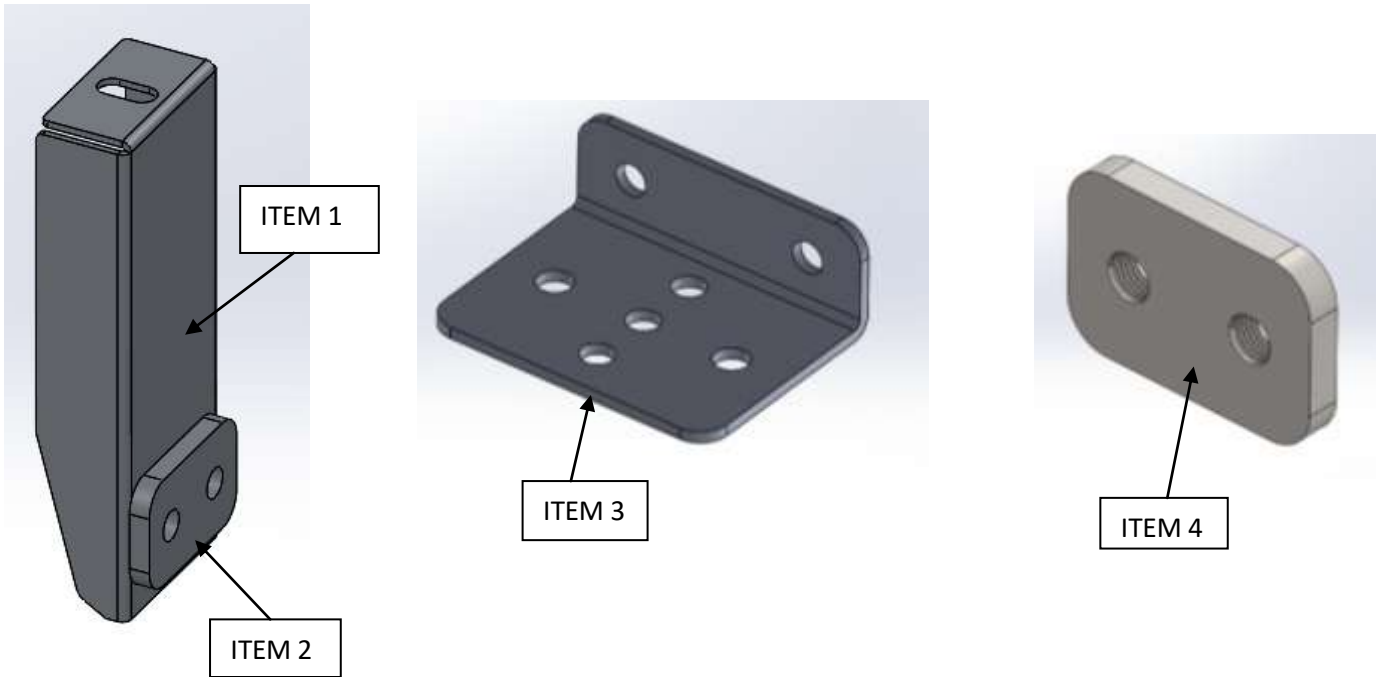
### 1.1. Tools & Item Required:

<u>TOOLS</u>	<u>ITEM</u>
Ratchet	Turpentine
Allen key	Cloth
13mm Socket	Black sealant, silicone or Sikaflex
13mm Ring Flat Spanner	Window Cleaner

### 1.2. Hardware supplied: (Included with canopy)

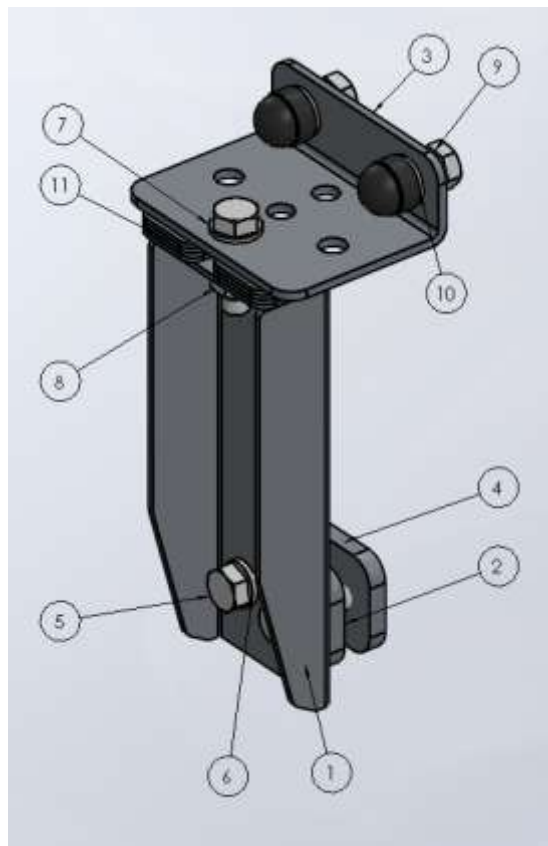
<b>ITEM NO.</b>	<b>PART NUMBER</b>	<b>DESCRIPTION</b>	<b>SET REQ</b>
1	NP300-CHAN-BRKT-01-00	CHANNEL BRACKET	6
2	NP300-SPACER-PLT-01-00	SPACER PLATE	6
3	Universal Canopy Mount Bracket	Canopy Mount Bracket	6
4	NP300-NUT-PLT-01-00	NUT PLATE	6
5	M8x30 Hex Head Bolts	Hex Head Bolts	18
6	DIN 7980 M8 Spring Washer	Spring Washer	12
7	DIN 125A M8 Flat Washer	Flat Washer	24
8	ISO 7040 M8 Nyloc Nut	Nyloc Nut	18
9	M8x20 Hex Head Bolt	M8x20 Hex Head Bolt	12
10	M8 Nut Cap	Nut Cap	12
11	TLCruiser Shim(60x30x1.6mm)	SHIM PLATE	24

# PARTS:



## 2. Mounting the canopy brackets to the load bin

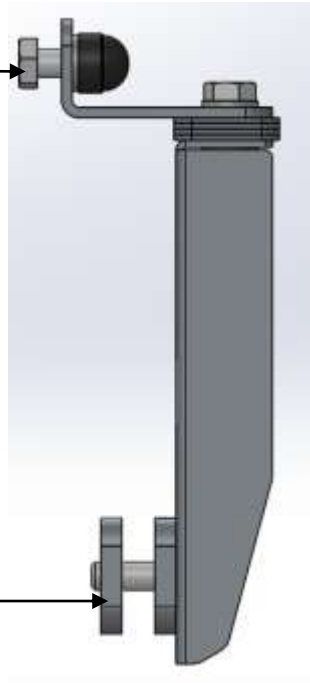
The Navara NP300 canopy has six bracket kits (3 per side) which are fitted to the load bin.



## 2.1. Mounting the Support Brackets to the Load Bin

M8x20 hex bolt  
fastens into nut  
slot of canopy

Threaded nut plate  
goes into rail in  
NP300 load bin



## Positions of the bracket kits in the load bin

Figures 7 and 8 shows where the mounting brackets are fixed to the load bin.

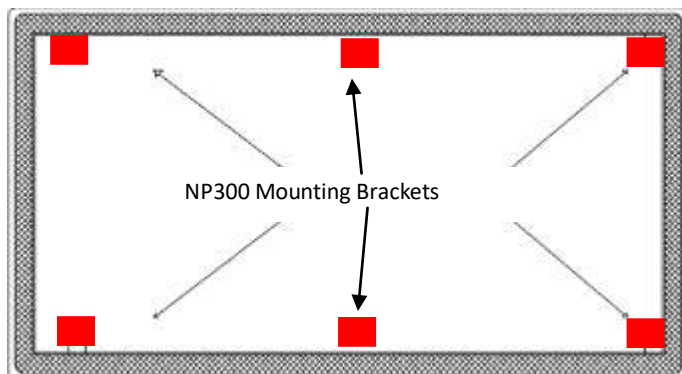


Fig 7: Top View of Load bin

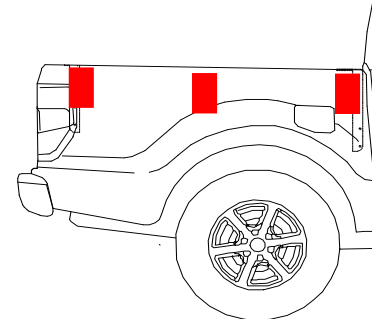
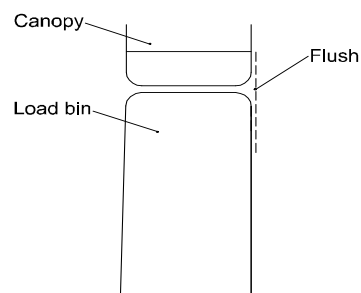


Fig 8: Side View of Load bin

### **3. Canopy Installation**

Before placing the canopy onto the load bin, check that the D-Rubber is intact on the canopy. If this is not done, the canopy and/or load bin could be damaged or can cause leaks into the canopy.

To position the canopy, ensure that it is flush with the load bin on the inside.



#### **3.1 Canopy Fitment to Load bin**

Keep all the doors of the canopy open besides the rear door when placing it onto the load bin. Check alignment before bolting down.