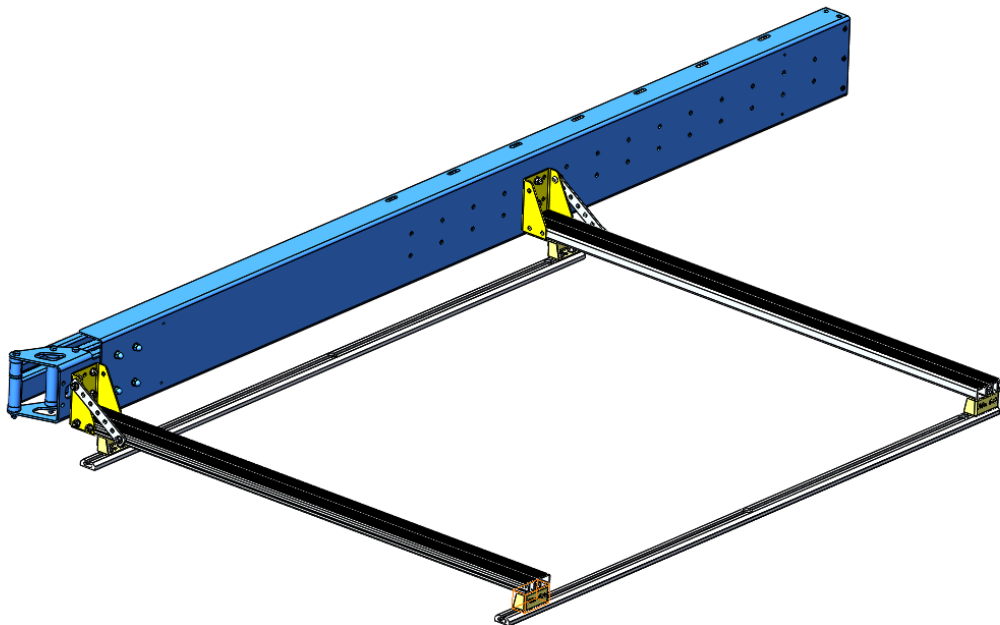
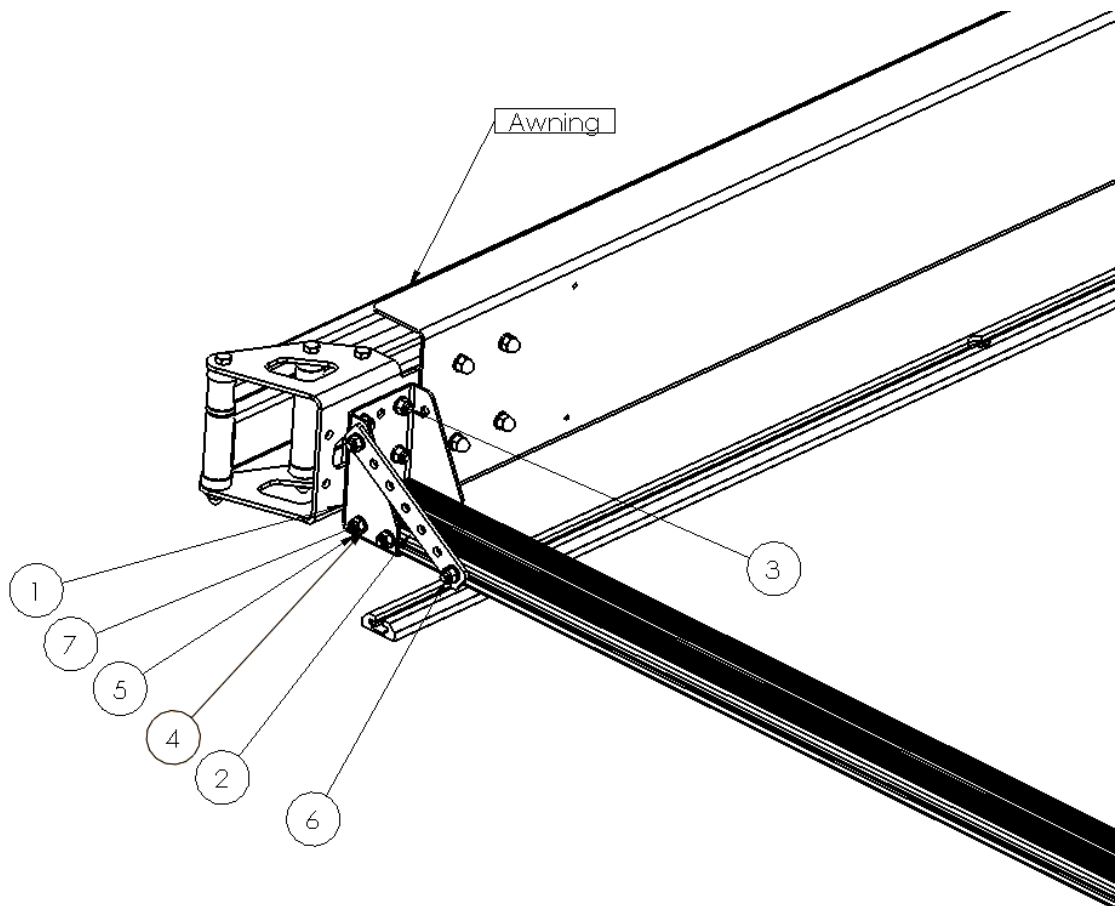




Awning to Load Bar Fitment Instruction



LIST OF COMPONENTS:



ITEM NO.	PART NUMBER	DESCRIPTION	QTY.
1	AMB-000-001	AWN MOUNT BRACKET	2
2	AMB-000-002	BRACE	2
3	M8 FLAT WASHER	M8 FLAT WASHER	16
4	M8 NYLOC NUT	M8 NYLOC NUT	16
5	M8x20 HEX BOLT	M8x20 HEX BOLT	12
6	STD LOAD BAR	LOAD BAR	2
7	M8x20 SOCKET BUTTON HEAD SCREW	M8x20 SOCKET BUTTON HEAD SCREW	8
8	AWNING ASSEMBLY	AWNING ASSEMBLY	1

1. TYPICAL FITTING POSITION OF AWNING BRACKET

