



Jerry Can



Fitment Instructions

1. Jerry Can Fitment – Tools, Fasteners & Materials

The tables below show the equipment, i.e. tools, fasteners, hardware and consumables required to start and finish the jerry can fitment.

Hardware Supplied with Jerry Can holder kit:

Part	Description	Qty
Jerry Can Holder	Jerry Can Holder	1
M8 Nyloc Nut	M8 Nyloc Nut	4
M8 Plastic Nut Cap	M8 Plastic Nut Cap	4
M8 Flat Washers	M8 Flat Washers	8
M8x65 Counter sunk bolt	M8x65 Counter sunk bolt	2
M8x75 Counter sunk bolt	M8x75 Counter sunk bolt	2
M8x40 Counter sunk bolt	M8x40 Counter sunk bolt	2
R-clip	R-clip	1

1.1 Tools required to fit Jerry can holder:

<u>TOOL</u>	<u>PURPOSE</u>
Size 6 Allen Key	Fastening various bolts
13mm spanner	Spanner to tighten various bolts
Drill	Drilling mounting holes
9mm drill bit	Drilling mounting holes

2. Fitting the Jerry Can Holder

Step 1: Drill holes for mounting bolts

You will need to drill four holes into the rear of the canopy to mount the jerry can holder securely. Before drilling ensure that the outer edges of the jerry can holder will clear the canopy rear door and the bottom of the canopy frame so that it clears the tailgate of the vehicle when it is being opened.

One hole should be drilled into the top cross member of the canopy frame (cross member shown in green) shown by number 1 below, one hole into the middle member of the canopy frame shown by number 2 below and two holes into the bottom member as shown below by 3 and 4. The jerry can is shown in transparent view to illustrate the position of the bolts. These bolts positions will differ from canopy to canopy.

Using the hand drill and 9mm drill bit, drill holes into the aluminium members of the canopy as shown in the diagram below:

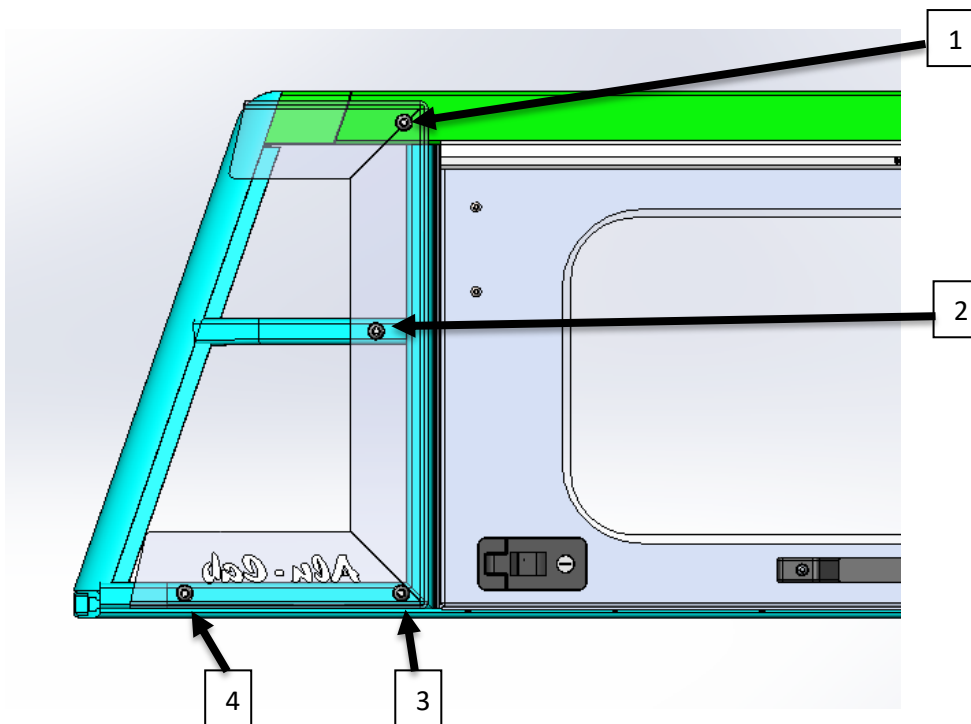


Figure 1: Hole locations

Step 2: Fit Jerry Can Holder

Fit the bolts, washers and nyloc nuts as shown below.

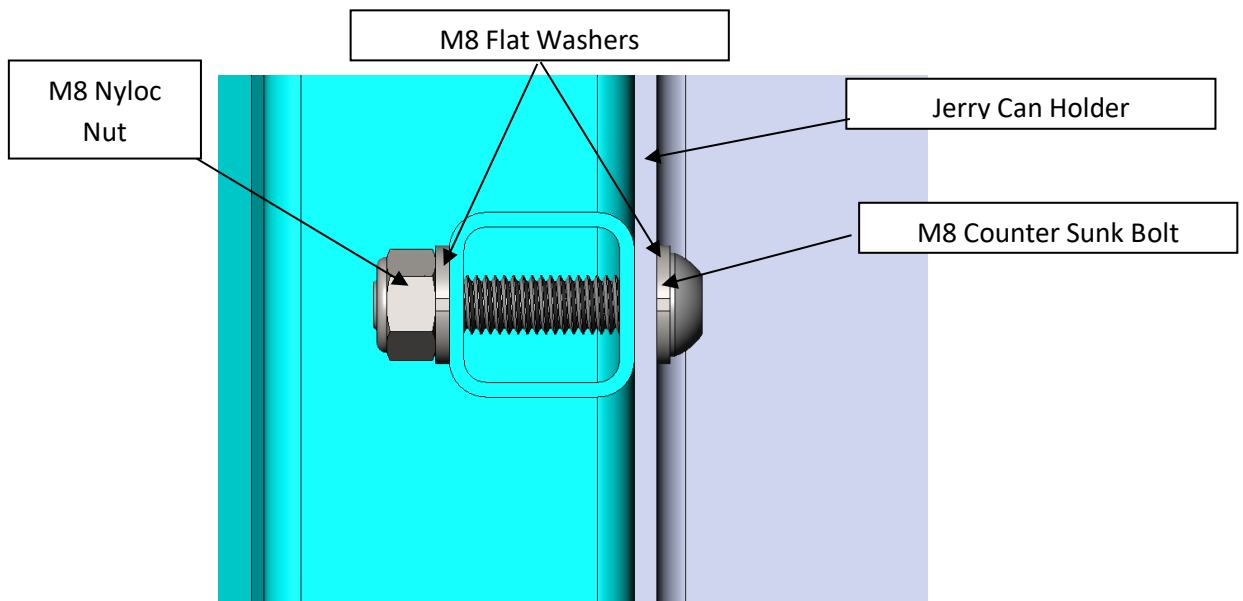
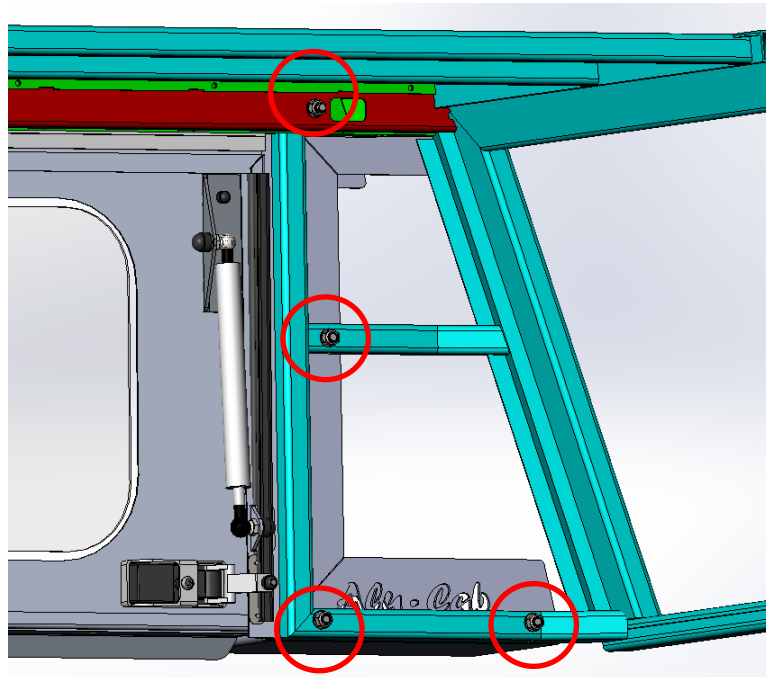


Figure 1: Hole locations



Once the nuts have been fastened, fit the plastic nut caps.