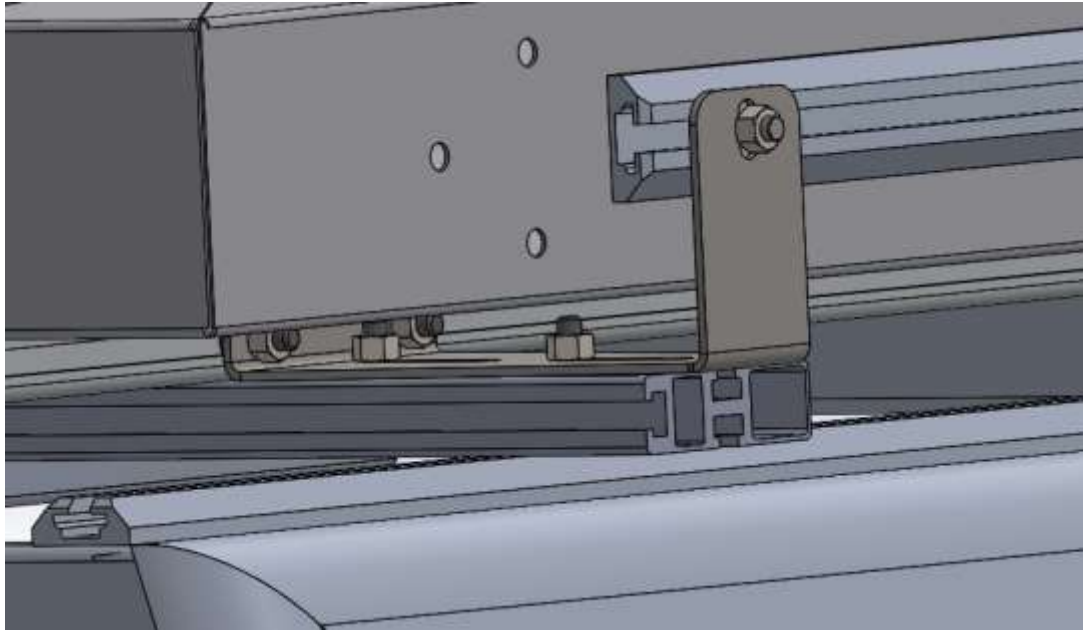




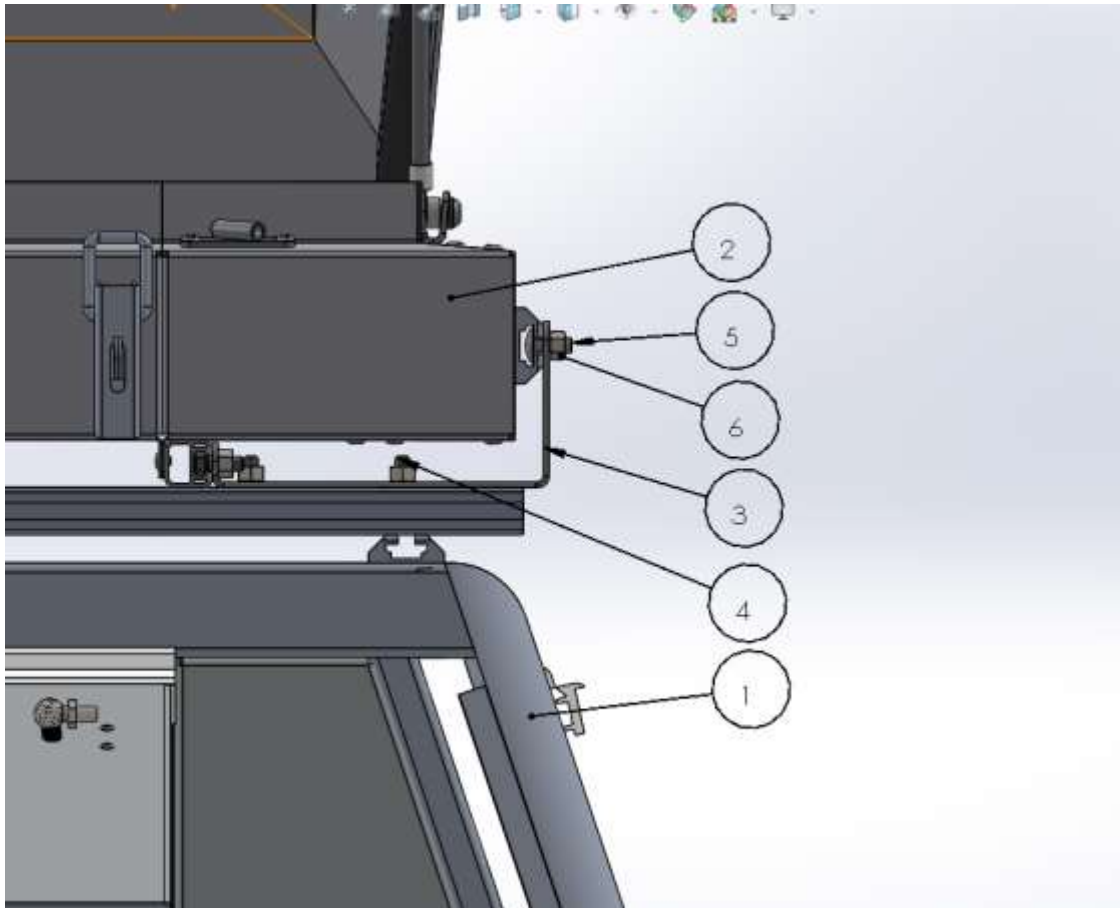
# Gen 3 Tent to Canopy Mounting Fitment Instructions



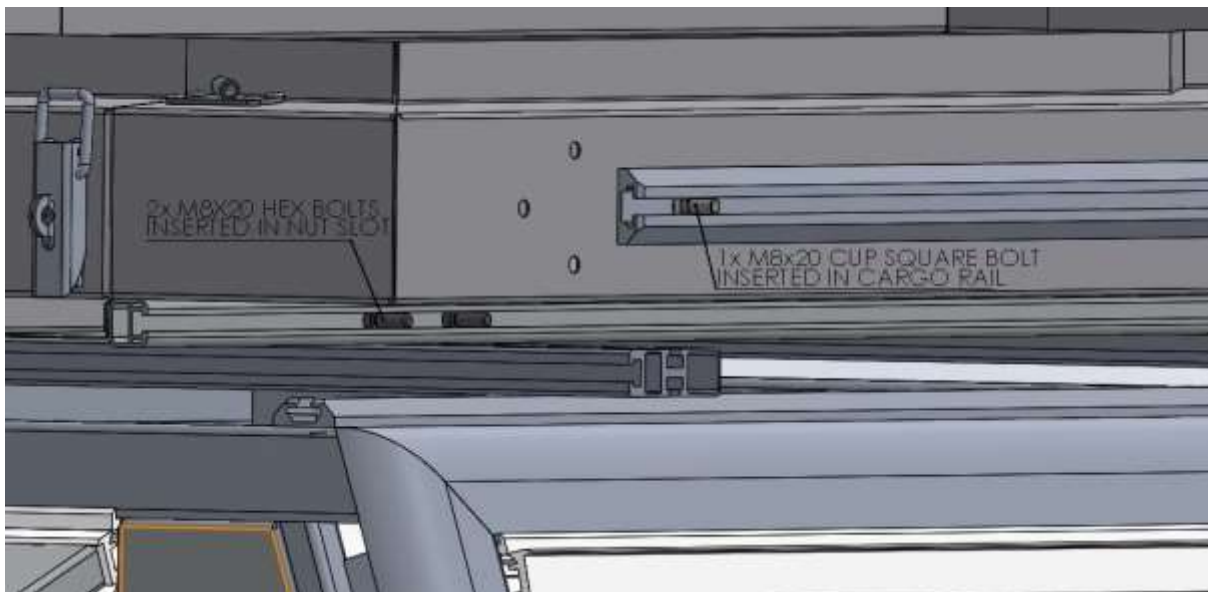


### **LIST OF COMPONENTS:**

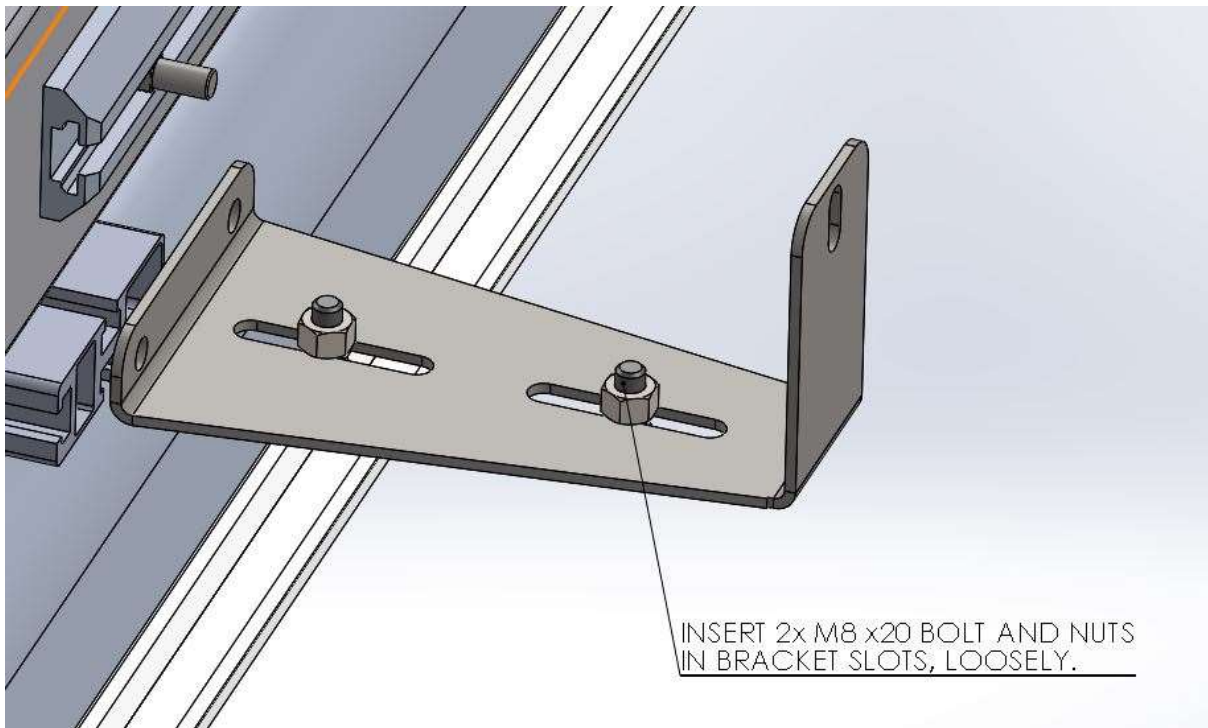
<b>Item No.</b>	<b>Part number</b>	<b>Description</b>	<b>Qty</b>
1	Canopy	Canopy	1
2	PRT-0000-02-00000	Gen 3 Roof Top Tent	1
3	Tent Support Mounting Bracket	Tent Support Mounting Bracket	4
4	M8x20 Hex Bolt	M8x20 Hex Bolt	16
5	M8x20 Cup Square Bolt	M8x20 Cup Square Bolt	4
6	M8 Nyloc Nut	M8 Nyloc Nut	20
7	M8 Flat washer	M8 Flat washer	20
8	M8 Plastic nut cap	M8 Plastic nut cap	20



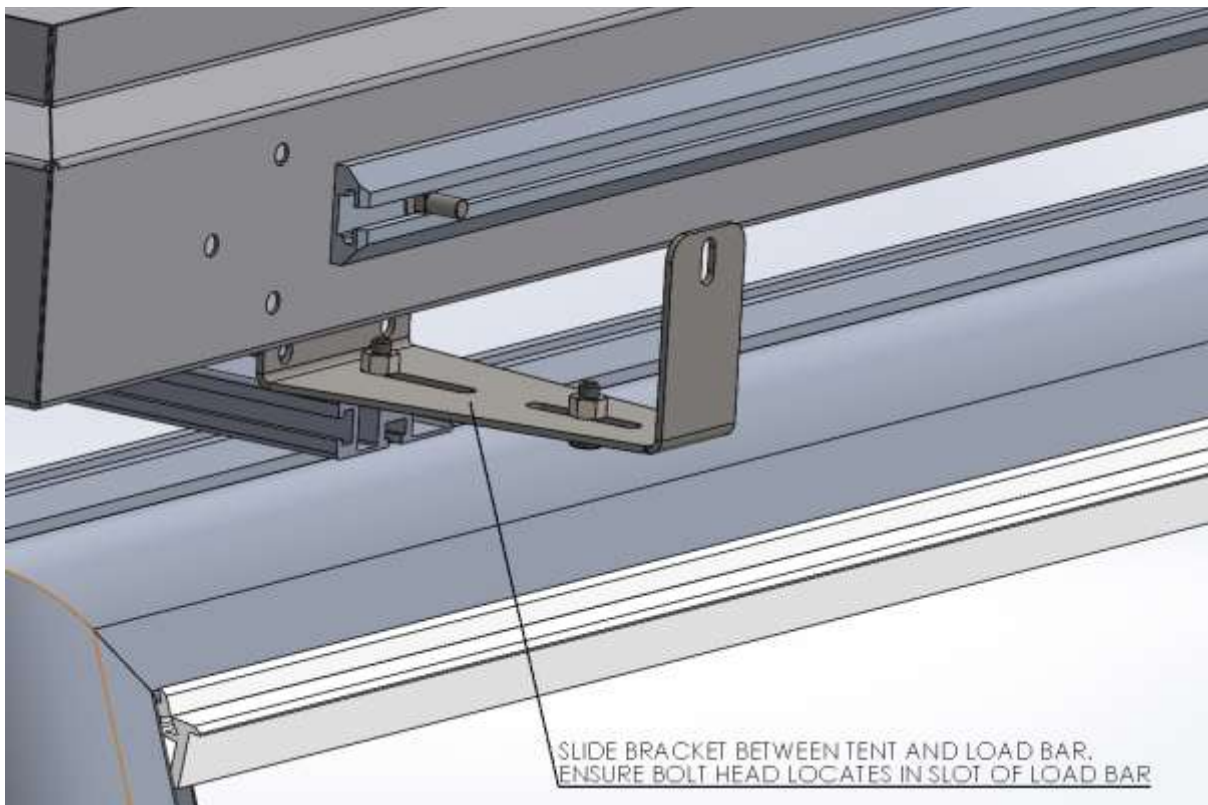
**STEP 1:**



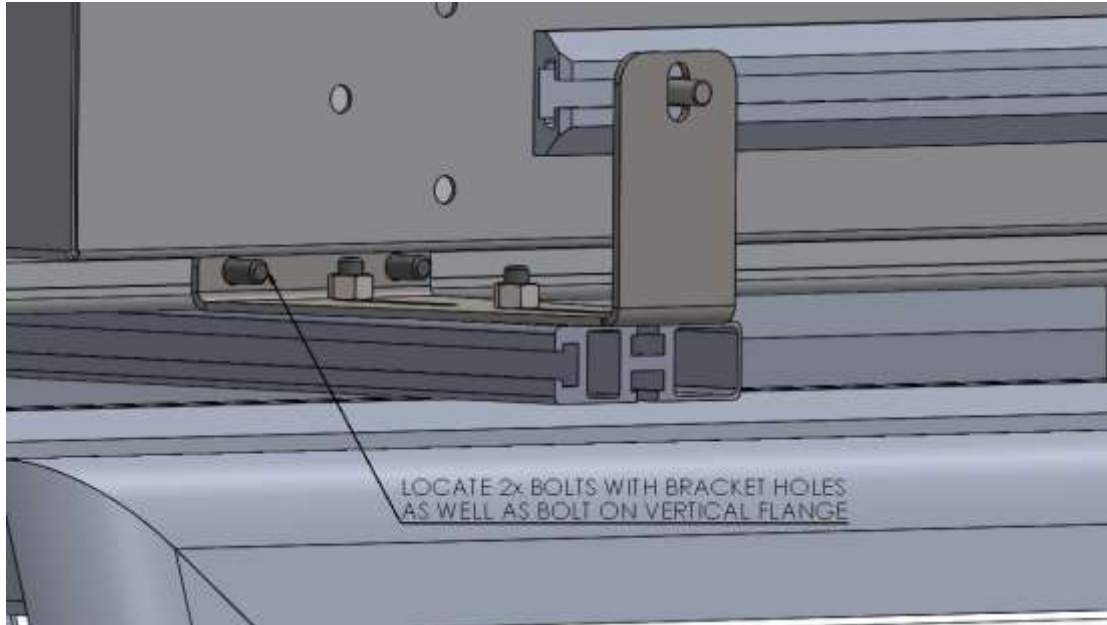
**STEP 2:**



**STEP 3:**



STEP 3:



TYPICAL ARRANGEMENT ON 4 ENDS OF LOAD BARS.