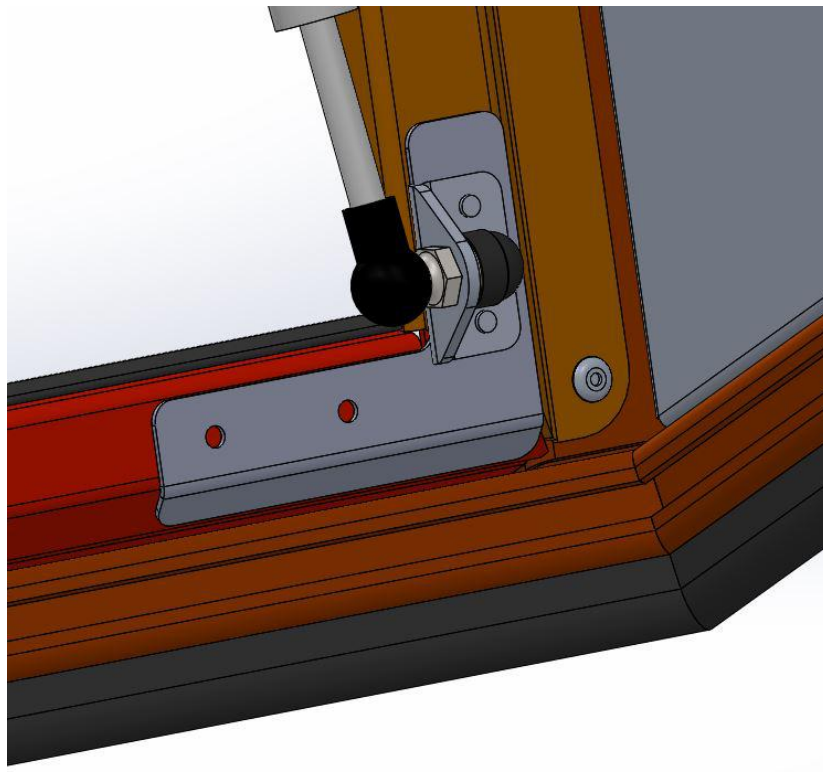




# Canopy Reinforcement Brackets

## Fitment Instructions



## LIST OF COMPONENTS:

### 1.1. Tools Required:

<u>TOOLS</u>
• Ratchet
• 3mm Allen key
• 8mm Socket
• 8mm Ring Flat Spanner

### 1.2. Fasteners required:

<u>ITEM</u>	<u>QUANTITY</u>
• M5x16mm Button head Bolts	16 off
• M5x25mm Hex Bolts	16 off
• M5 Flat Washer	16 off
• M5 Nylock Nuts	16 off
• M5 Plastic Nut Caps	16 off

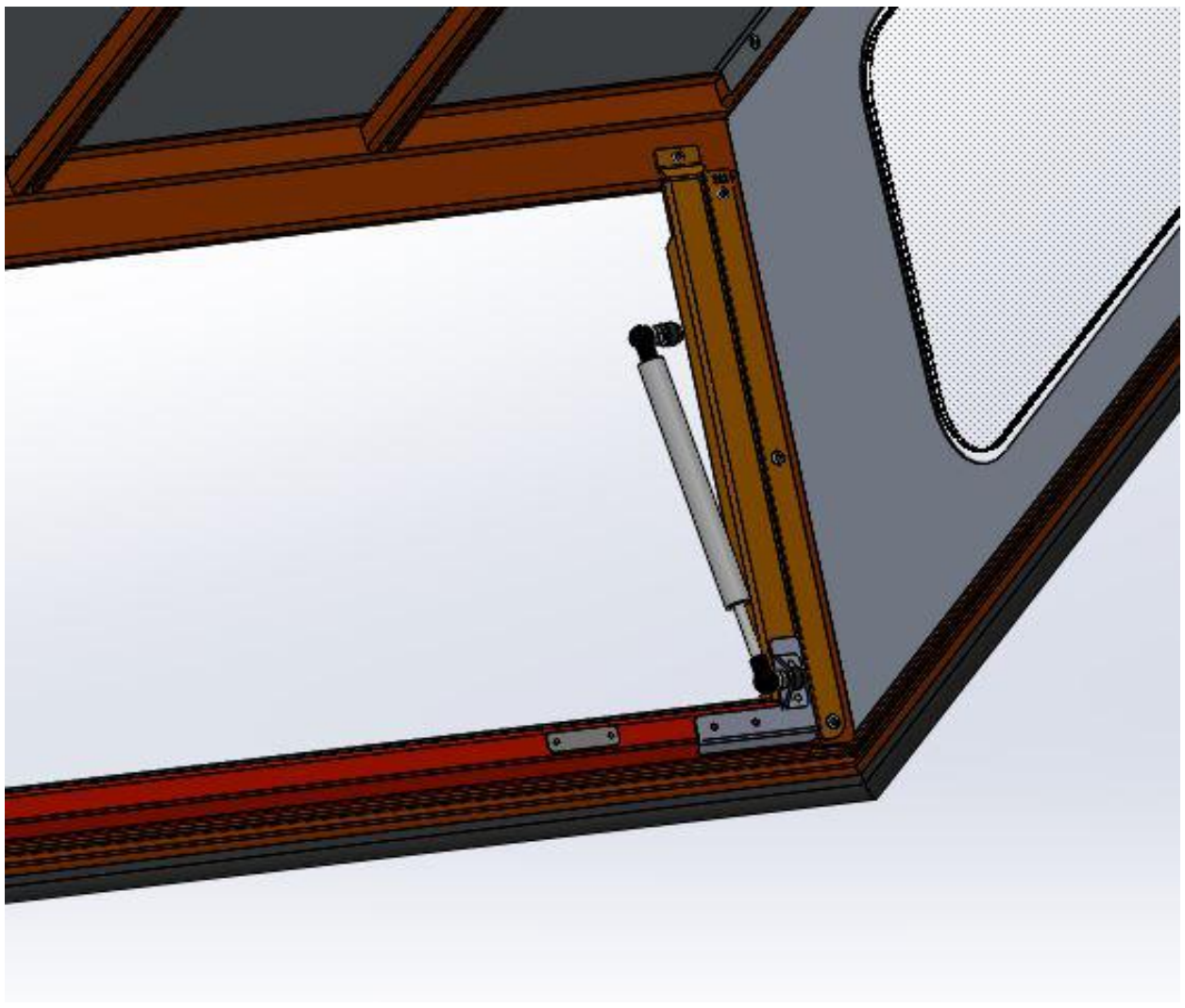
### 1.3. Hardware Required:

<u>ITEM</u>	<u>QUANTITY</u>
• Left Reinforcement Brackets	2 off
• Right Reinforcement Brackets	2 off

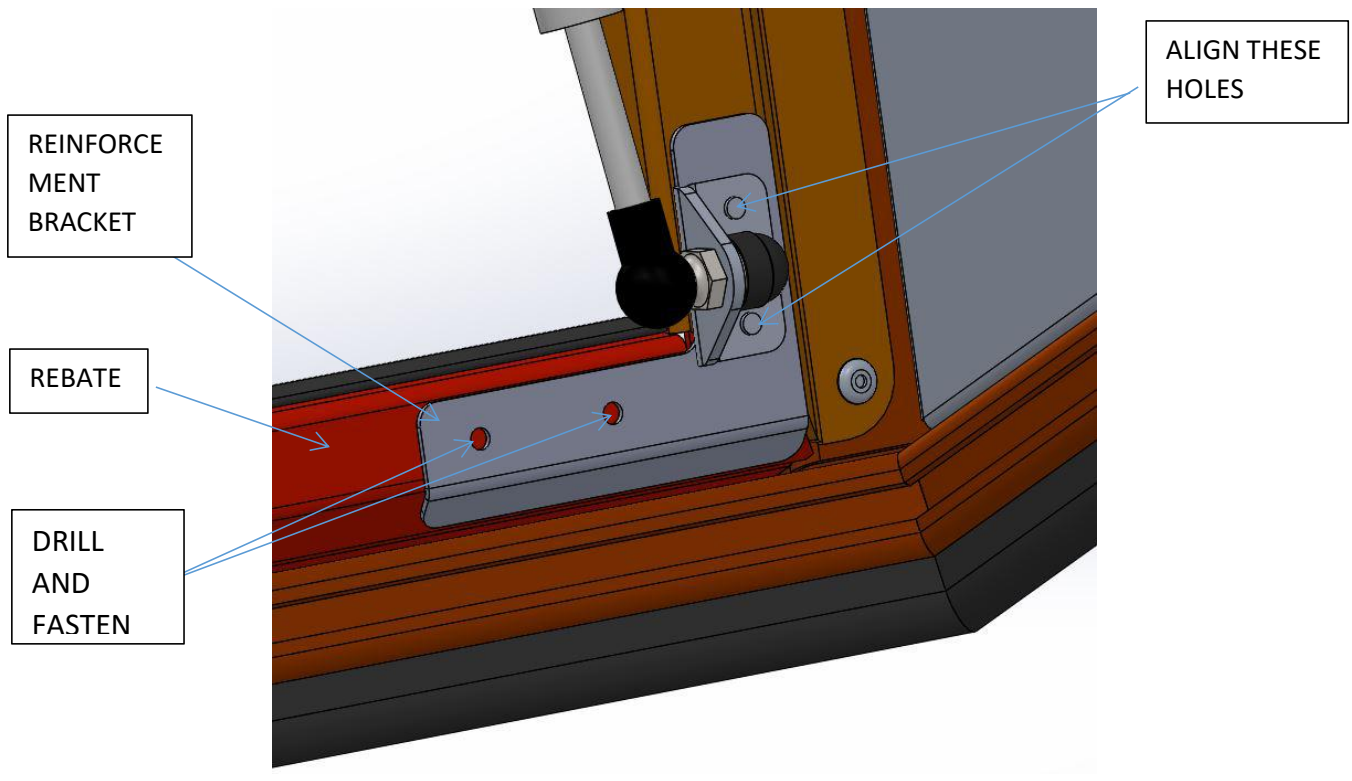
**1.4. Consumables Required:**

<b><u>ITEM</u></b>
<ul style="list-style-type: none"><li>• Cloth</li></ul>
<ul style="list-style-type: none"><li>• Black sealant, silicone or Sikaflex</li></ul>
<ul style="list-style-type: none"><li>• Window Cleaner</li></ul>

**VIEW OF REINFORCEMENT BRACKET FROM INSIDE  
THE CANOPY.**



## FITMENT OF REINFORCEMENT BRACKET FROM INSIDE THE CANOPY.



Remove the lower gas strut mount by drilling out the rivets. Align the reinforcement bracket holes and fasten with bolts and nuts. The nut should be on the inside of the canopy. Mark and drill the two holes at the bottom of the rebate and fit fasteners.

Fill the corner and holes with the Sika/silicone, then fit the reinforcement brackets and the lower gas strut bracket. Do not use too much as it becomes messy. Spray with window cleaner and wipe clean or turpentine on a cloth and clean.