

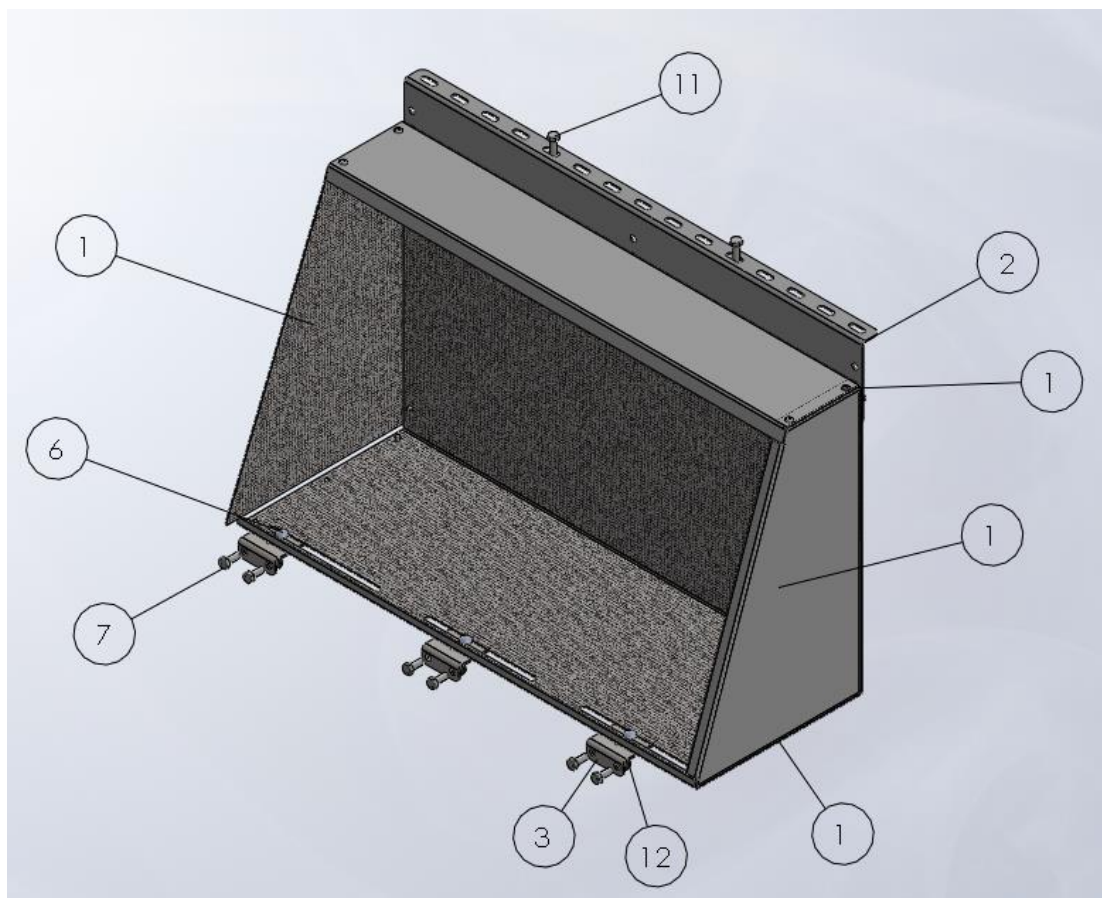


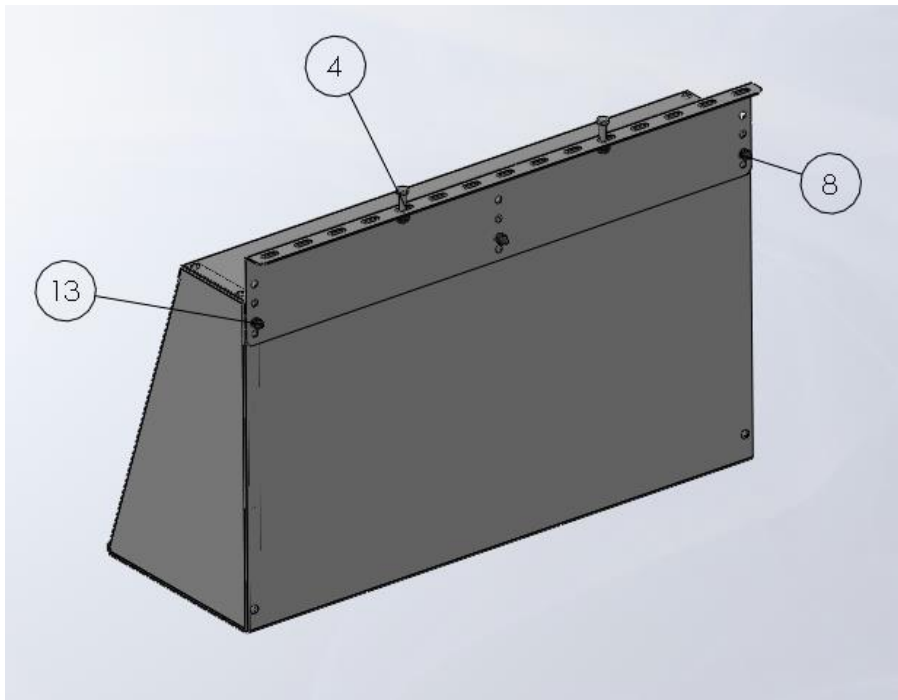
Canopy Cupboard



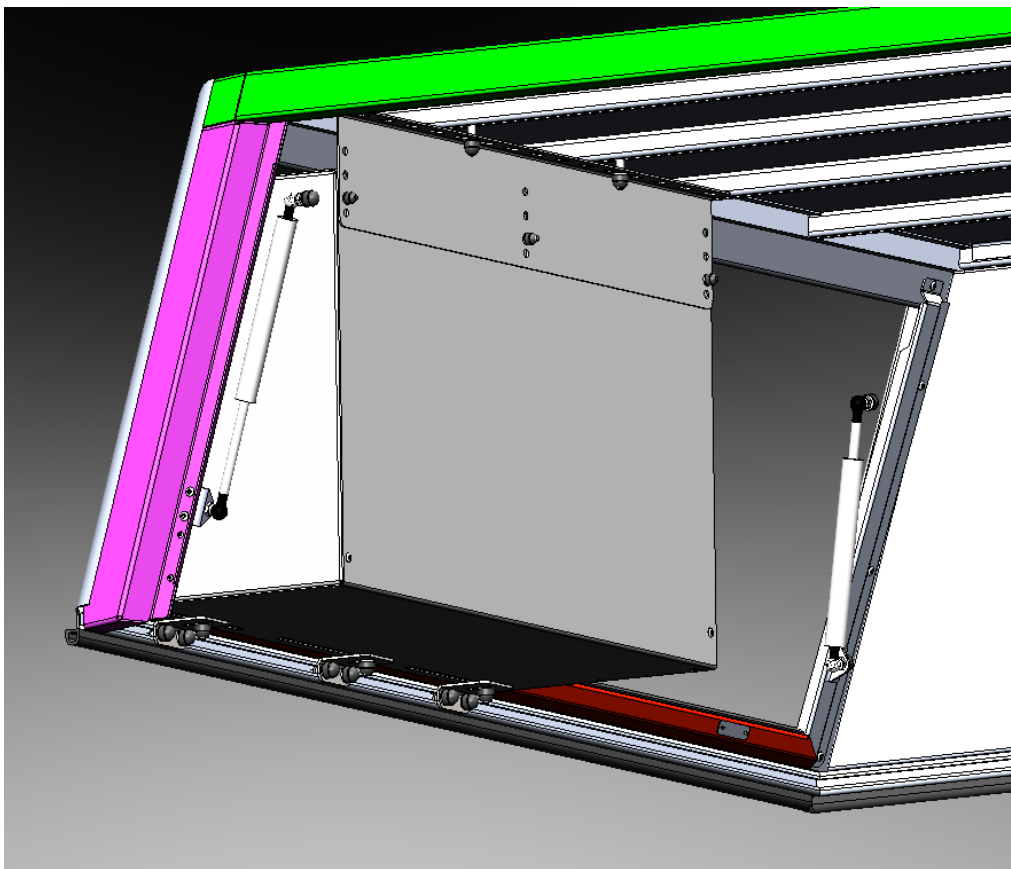
Fitment Instructions

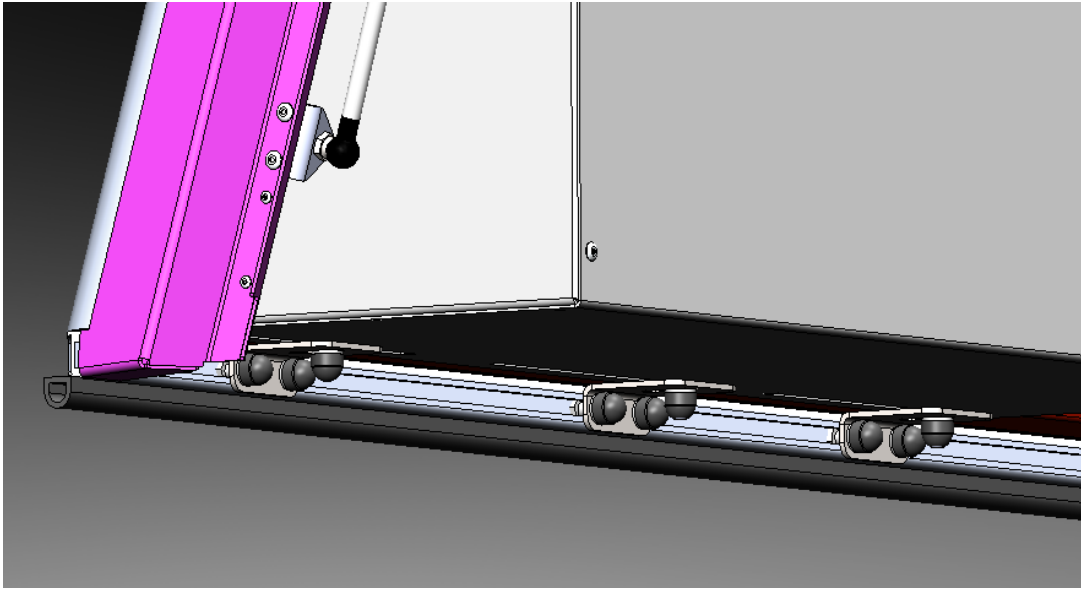
ITEM NO.	PART NUMBER	DESCRIPTION	QTY
1	Canopy Cupboard		1
2	SCB560-000-004 Rev C	MOUNTING BRACKET	1
3	SCB560-000-005	BOTTOM MOUNTING BRACKET	3
4	M8 FLAT WASHER	M8 FLAT WASHER	11
5	N8 Nyloc Nut	N8 Nyloc Nut	11
6	M8x20 CUP SQUARE BOLT	M8x20 CUP SQUARE BOLT	3
7	M8x20 Hex Head Bolt	M8x20 Hex Head Bolt	6
8	M6 Flat Washer	M6 Flat Washer	6
9	M6x20 Button Head Screw	M6x20 Button Head Screw	3
10	M6 Nyloc Nut	M6 Nyloc Nut	3
11	M8x35 Hex Head Bolt	M8x35 HEX BOLT	2
12	M8 Nut Cap	Plastic Nut Cap	11
13	M6 Nut Cap	Plastic Nut Cap	3



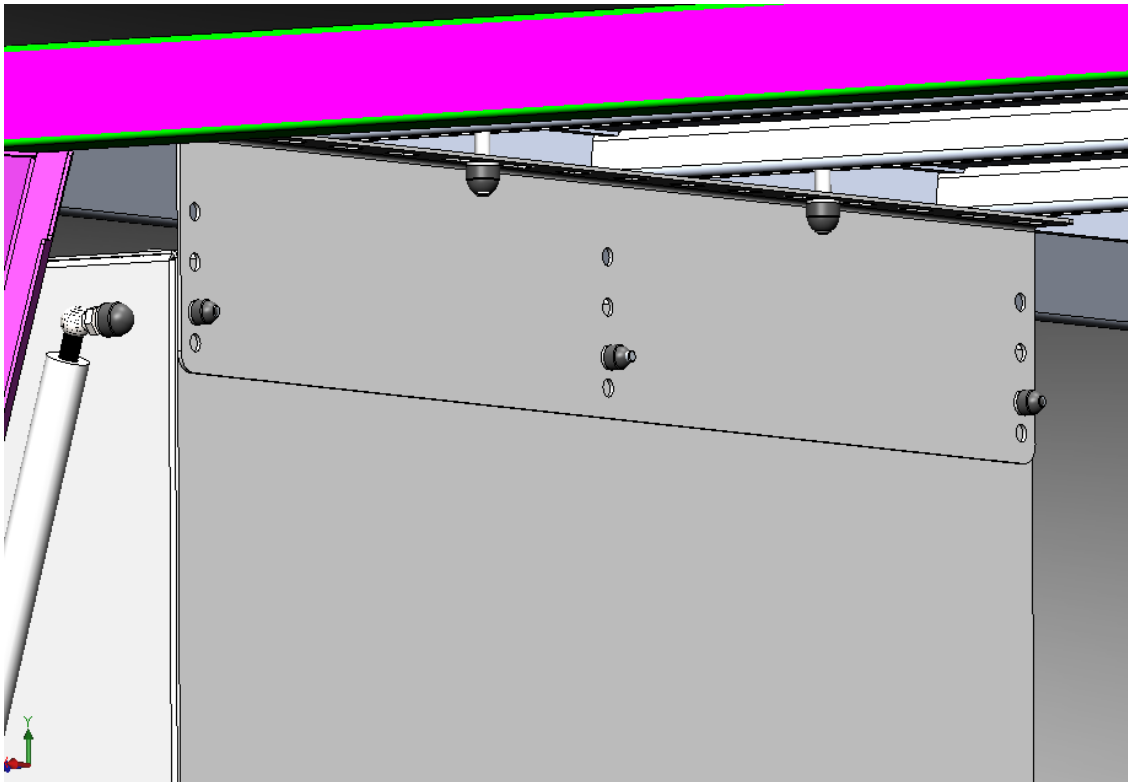


Assembled Canopy Cupboard





Bottom Brackets Assembled using M8 Hex Bolts into the nut Slot and M8 Cup square bolts into the canopy Cupboard. There are slots to adjust the position of the cupboard brackets to clear the canopy load bin brackets.



Top Bracket Assembled. Use M6x20 Button Head screws to bolt Bracket to the Cupboard and M8 Bolt Bracket to the Canopy Frame roof as shown. Bracket is height adjustable to suit multiple canopies. Remember to fit plastic nut caps over the nyloc nuts



Photo of Assembled top bracket



Photo of Canopy cupboard fitted into canopy.