



Canopy Table



Fitment Instructions

1. Canopy Table Fitment – Tools, Fasteners & Materials

The tables below show the equipment, i.e. tools, fasteners, hardware and consumables required for the fitment of the canopy table.

Hardware Supplied with Canopy Table kit:

Part Number	Description	Qty
Alu-Table Assy	Alu-Table	1
R-clip with wire	R-clip with wire	1
4.8x15 Fender Rivet	fender rivet	1
402-CAN-TAB-AL-BRKT-01-00	Anti-luce Bracket	1
M8 Anti-Luce Fastener	M8 Anti-Luce Fastener	1
M8 Spring Washer	M8 Spring Washer	7
M8 Flat Washer	M8 Flat Washer	5
M8 Nyloc Nut	N8 Nyloc Nut	1
M8 Hex Nut	Hex Nut	6
M8x16 Button Head Screw	M8x16 Button Head Screw	6
402-CAN-TAB-BRKT-01-00	Table Bracket	2

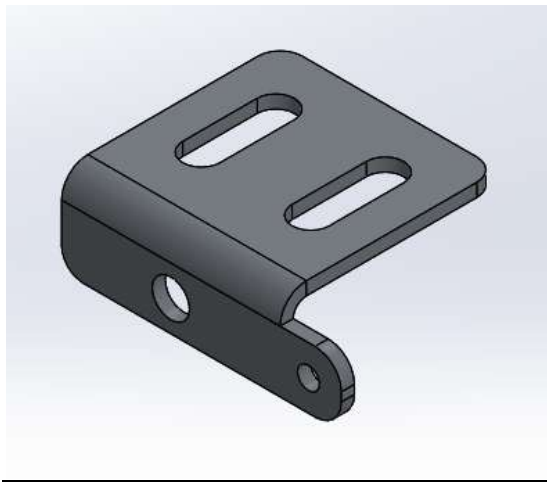


Figure 1: Anti-luce bracket



Figure 2: Table bracket

1.1 Tools required to fit Canopy Table kit:

<u>TOOL</u>	<u>PURPOSE</u>
Allen Key	Fastening various bolts
13mm spanner	Spanner to tighten various bolts
Drill	Drilling hole for R-clip wire rivet
4.8mm drill bit	Drilling hole for R-clip wire
Rivet gun	Riveting R-clip wire to canopy

2. Fitting the Canopy Table kit

Step 1: Fitting the table brackets

Fit the table brackets to the aluminium nut slot extrusion as shown below. The distance between the internal faces of the brackets should be approximately 765mm to allow the table to slide into the brackets.



Figure 3: Table brackets installed

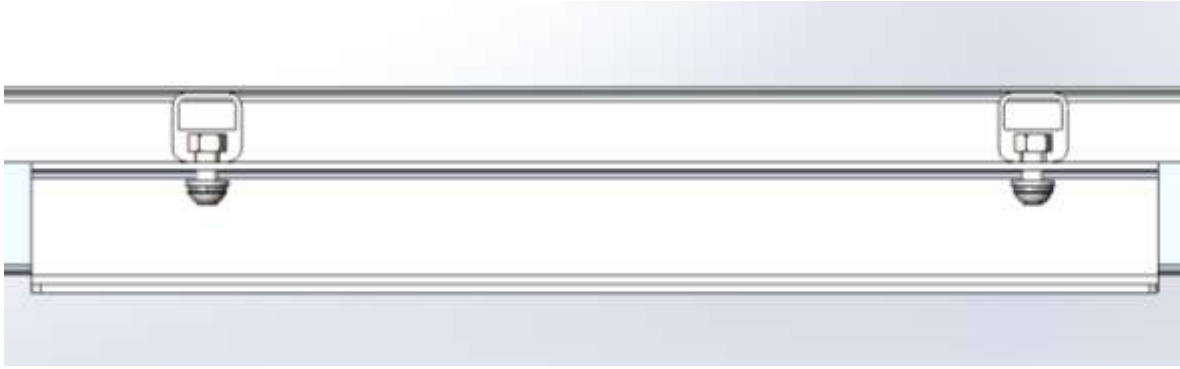


Figure 4: Table Bracket Assembled

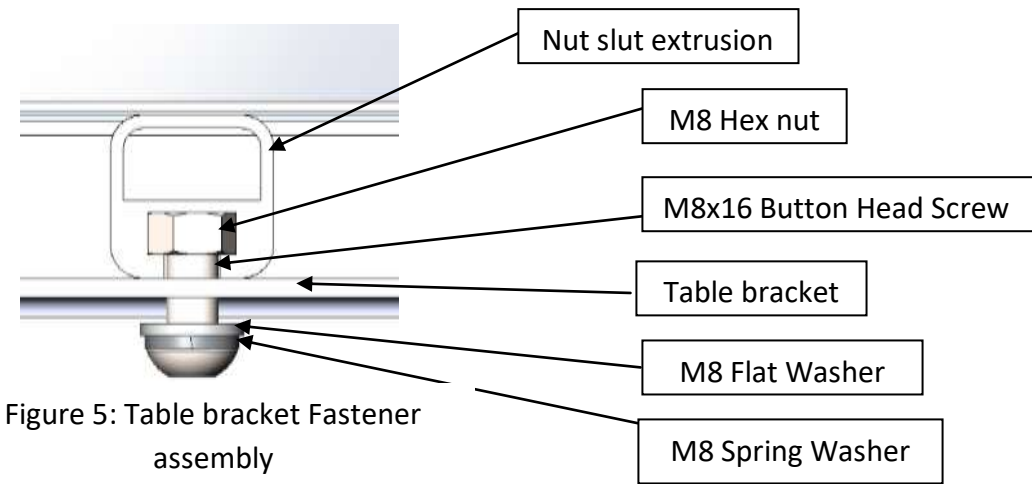


Figure 5: Table bracket Fastener assembly

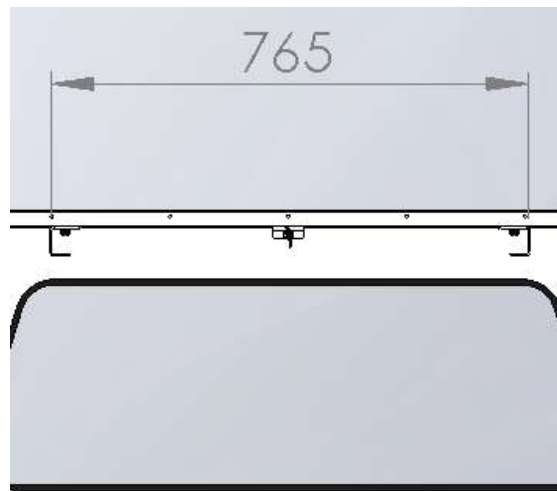


Figure 6: Distance between table brackets

Step 2: Fitting the anti-luce bracket

Fit the anti-luce bracket as shown in the diagram below.

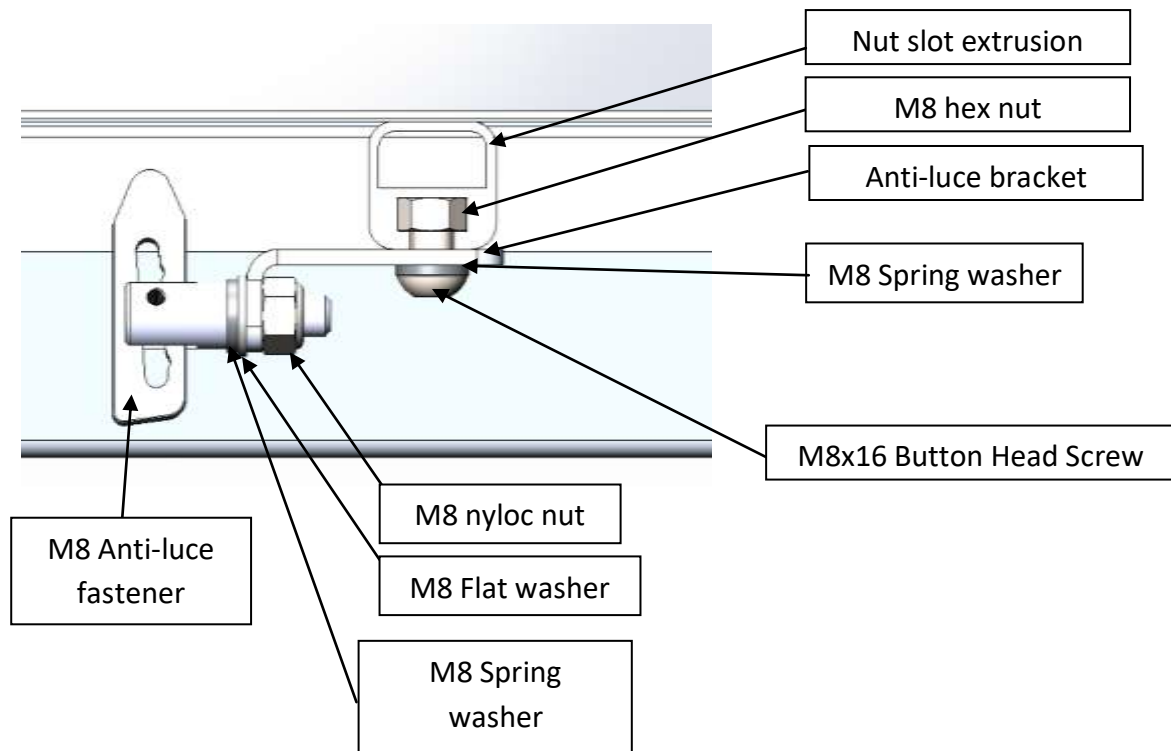


Figure 7: Anti-luce bracket assembly



Figure 10: Table fitted into canopy



Figure 11: Table fitted into canopy (Inside view)



Figure 12: Table fitted into canopy (Outside photo)